

## Limit Switch Boxes YT-870 / YT-875

### Design features

- **Visual position indicator.** 360° viewing angle.
- **Multiple Output signals.** 8 contacts of terminal ports.
- **Universal Compatibility.** Suitable for any rotary motion actuator <IS05211>.
- **Easy configuration.** Simple adjustment of cam position.
- **Dual conduit entries.** Separate connections for power and signal cables.

Item Type	YT-870M YT-875M		YT-870P YT-875P		YT-870D YT-875D	
Switch Type	Mechanical Switch (2 x SPDT)		Inductive Proximity Sensor		Mechanical Switch (2 x DPDT)	
	SS5GL (Omron)	SS10GL (Omron)	PS17-5DNU (Autonics)	NJ2-V3-N (P&F)	DZ-10G-1B (Omron)	
Switch Rating	AC	250 V 5 A	250 V 10.1 A	-	-	125 or 250 VAC 10 A
		125 V 5 A	125 V 10.1 A	-	-	480 VAC 2 A
Switch Rating	DC	250 V 0.2 A, 125 V 0.4 A, 30 V 4 A, 14 V 5 A, 8 V 5 A		12 - 24 VDC	8.2 VDC	125 VDC 0.5 A  250 VDC 0.25 A
Ingress Protection	IP67					
Explosion Protection Type	ATEX, IECEx Ex db IIC T6, Ex tb IIIC T85°C					
	CSA Ex db IIC T6 Class I, Zone 1, AEx db IIC T6 Class II, Division 1, Groups E, F and G, Ex tb IIIC T85°C Zone21, AEx tb IIIC T85°C					
	KCs Ex d IIC T6					
Operating Temp.	-20 to 60 °C					
Conduit Entry	NPT3/4 (G3/4, M20, NPT1/2)					
Terminal	8 Points					
Mounting Bracket	NAMUR VDI / VDE 3845, ISO 5211					
Material and Weight	YT-870	Aluminium Diecasting: 1.5 kg (3.3 lb)				
	YT-875	Stainless Steel 316: 3.5 kg (7.7 lb)				



YT-870

YT-875



### Product Code

YT-870 - M - 1 - 0 - 0

#### Model

YT-870 = Flameproof Aluminum  
YT-875 = Flameproof Stainless Steel

#### Switching Type

M = Mechanical Type (2 x SPDT)  
P = Proximity Type  
D = Mechanical Type (2 x DPDT)

#### Conduit

1 = NPT 3/4  
2 = PF 3/4 (YT-870 only)  
3 = M20 (YT-870 only)  
4 = NPT 1/2 (YT-870 only)

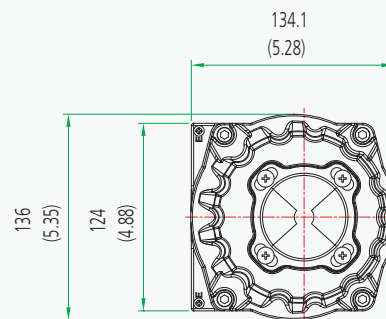
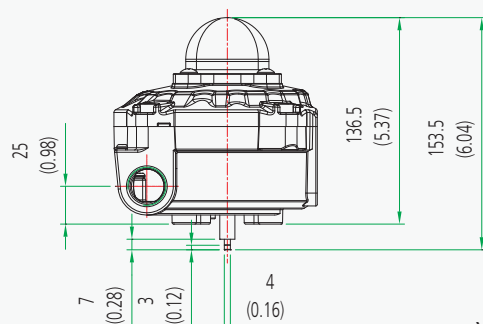
#### Bracket Type

0 = None  
1 = ST-1 (30\*80,H20)  
2 = ST-2 (30\*80,H30)  
3 = ST-3 (30\*130,H30)  
4 = ST-4 (30\*130,H50)

#### Option

0 = None  
1 = SPTM

Dimensions: mm (Inches ")



YT-870 / YT875