



- Piezoresistive pressure sensor
- High sensitivity
- Standard diaphragm
- Stainless steel case
- EMC and reverse polarity protection
- Analog output: 4...20mA or 0...10VDC
- 100 mbar to 600 bar

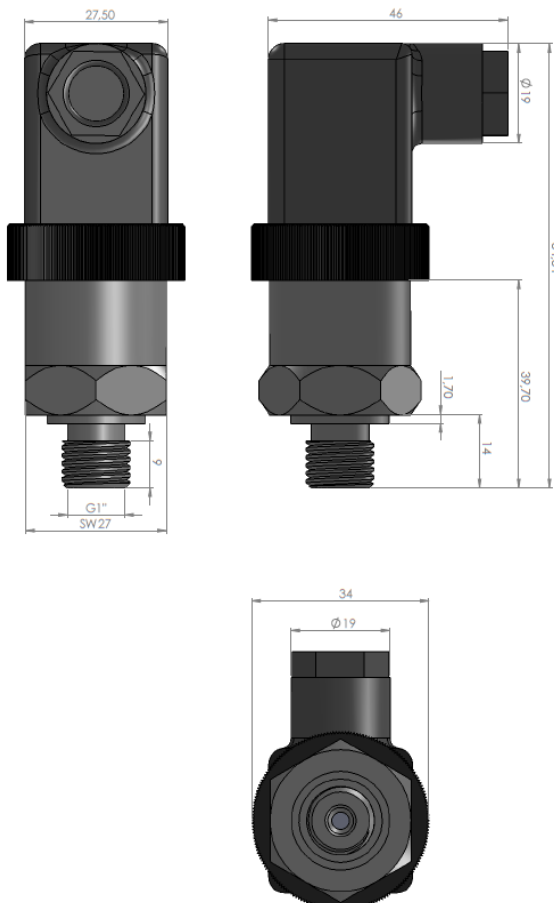
Applications

- Pneumatic Systems
- Hydraulic Systems
- Machines Equipments
- Air Cooling – Heating Systems
- Water Technologies
- Automation Applications

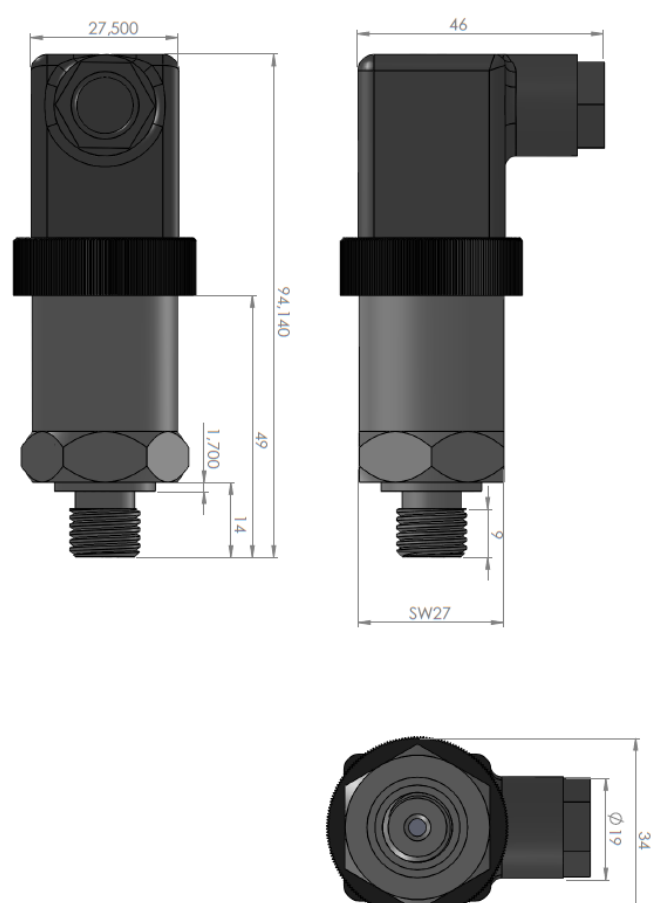
BCT Technical Specifications

Pressure Range	100 mbar to 600 bar
Output Signal	4...20mA (2 Wires) , 0...10VDC (3 Wires)
Mechanical Connection	G1, G1/2, G1/4
Power Supply	+12...30 VDC
Accuracy	%0,5
Operating Temperature	-20°C to +85°C
Housing Material	Stainless steel, Brass
Weight	140 grams

Mechanical Dimension (2 Bar to 400 Bar)

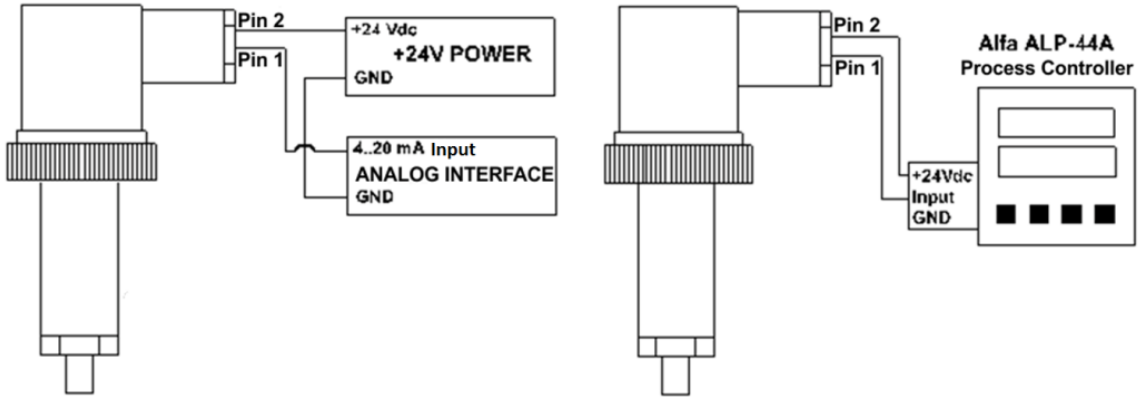


Mechanical Dimension (100 Milibar to 1 Bar and 600 Bar)



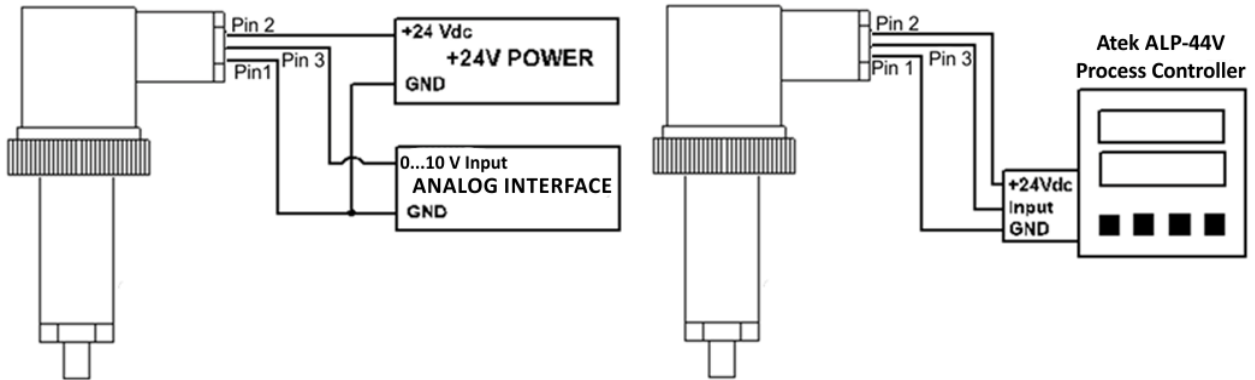
Pin No	Signal
2 Wires 4-20mA Connection	
1	4...20mA Analog Output
2	+12...30 VDC (Supply)

Sample Connection:



Pin No	Signal
3 Wires 0-10VDC Connection	
1	GND
2	+12...30 VDC (Supply)
3	0...10VDC Analog Output

Sample Connection:



Order Code

Model	Output Signal	Electrical Connection
BCT 110	V : 0-10 VDC Analog Voltage A : 4-20 mA Analog Current	S : DIN43650 Female Socket * Please ask for others
16B	Pressure	Mechanical Connection
100mB	: 100 Milibar	G1/4 : G1/4 Connection
16B	: 16 Bar	G1 : G1 Connection
600B	: 600 Bar	G1/2 : G1/2 Connection
	* Between 100 milibar to 600 Bar	* Please ask for other mechanical connections

Atek Sensor Technologies A.S.



Tuzla Kimya Sanayicileri Org. San. Bolg. Melek Aras Bulvari, No:67 34956 Tuzla - Istanbul / TURKEY
Tel: +90 216 399 44 04 Fax: +90 216 399 44 02
www.ateksensor.com info@ateksensor.com