

Short description



- Aluminium-alloy IP65 single point load cell
- Colourless anodized
- Suitable for pricing scales, bench scales, etc.
- Maximum platform size: 400 x 400 mm



Test certificate no. TC7838 Revision 1
C of C no R60/2000-NL1-10.22
Certificate no. 11-062

Available models

Capacity	Accuracy	Full article description
50kg	C3/C4/C5	L6E-C3/C4/C5-50kg-2B
60kg	C3/C4/C5	L6E-C3/C4/C5-60kg-2B
80kg	C3/C4/C5	L6E-C3/C4/C5-80kg-2B
100kg	C3/C4/C5	L6E-C3/C4/C5-100kg-2B
150kg	C3/C4/C5	L6E-C3/C4/C5-150kg-2B
200kg	C3/C4/C5	L6E-C3/C4/C5-200kg-2B
300kg	C3/C4/C5	L6E-C3/C4/C5-300kg-2B
500kg	C3/C4/C5	L6E-C3/C4/C5-500kg-2B

Specifications and dimensions are subject to change without notice and do not constitute any liability whatsoever.

Technical specifications L6E

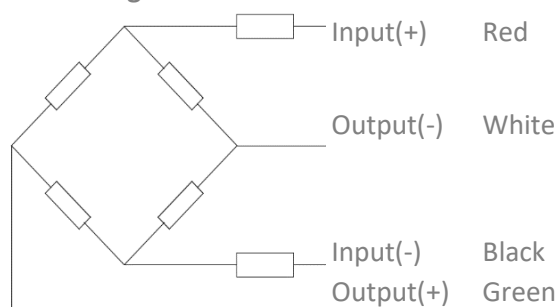
Accuracy class		OIML R60 C3	OIML R60 C4	OIML R60 C5
Output sensitivity (= FS)	mV/V	2.0 ± 0.2		
Maximum capacity (E _{max})	kg	50, 60, 80, 100, 150, 200, 300, 500	50, 60, 80, 100, 150, 200, 300, 500	50, 60, 80, 100, 150, 200, 300, 500
Max. number of load cell intervals	n _{LC}	3000	4000	5000
Ratio of min. LC verification interval	Y = E _{max} /	10000	15000	20000
Combined Error	%FS	≤± 0.0230	≤± 0.0175	≤± 0.0140
Creep	%FS/30 min	≤± 0.0167	≤± 0.0125	≤± 0.01
Temperature effect on zero	%FS/10°C	≤± 0.02	≤± 0.012	≤± 0.009
Temperature effect on sensitivity	%FS/10°C	≤± 0.0175	≤± 0.0131	≤± 0.01
Corner Error		≤ 0.02% load value / 100 mm		
Minimum dead load	Of E _{max}	0%		
Safe overload	of E _{max}	150 %		
Ultimate overload	of E _{max}	300 %		
Zero balance	of FS	< ± 2.0 %		
Excitation, recommended voltage	V	5 ~ 12		
Excitation maximum	V	18		
Input resistance	Ω	406 ± 6		
Output resistance	Ω	350 ± 3		
Insulation resistance	MΩ	≥5000 (at 50VDC)		
Compensated temperature	°C	-10 ~ +40		
Operating temperature	°C	-35 ~ +65		
Storage temperature	°C	-40 ~ +70		
Element material		Aluminium		
Ingress Protection (acc. to EN 60529)		IP65		
Recommended torque on fixation bolts	Nm	M6:20		

Wiring

Features:

Shielded, 4 conductor cable
 Cable diameter: Ø5.3mm
 Standard cable length: 2m
 Shield not connected to element
 Cable jacket in PVC

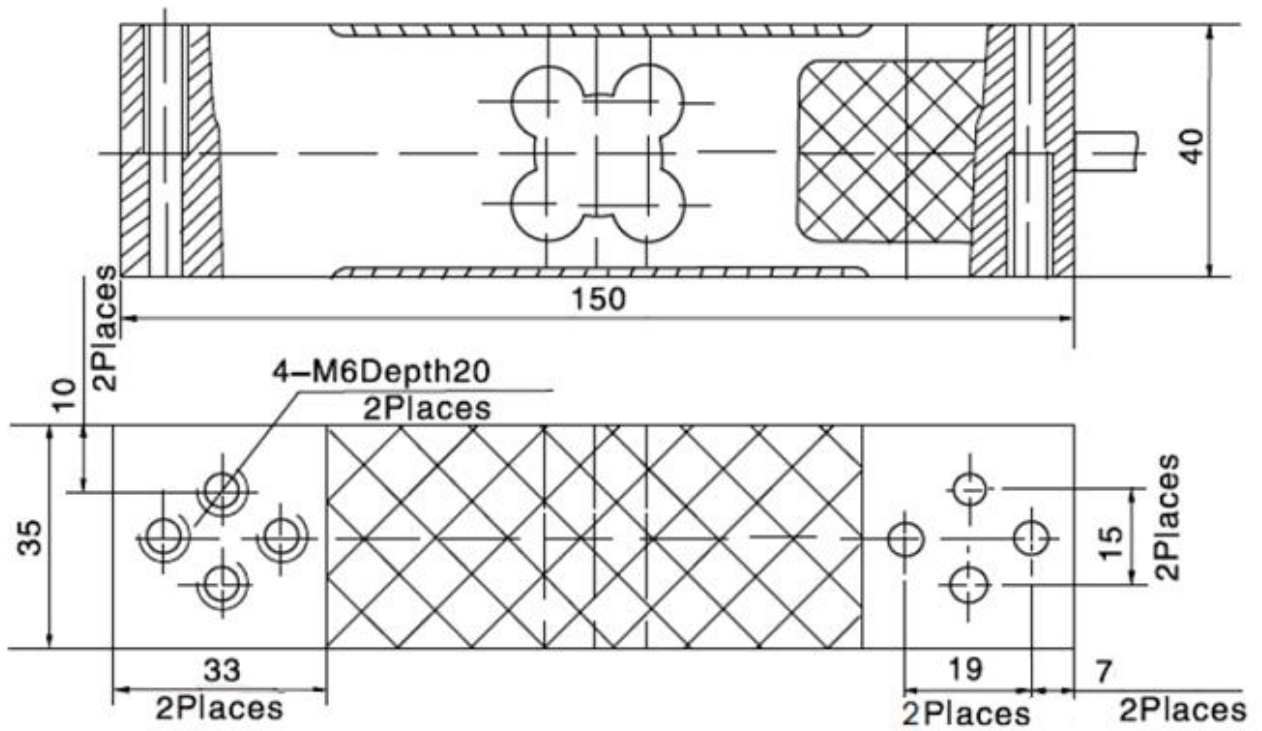
4-wire diagram



Specifications and dimensions are subject to change without notice and do not constitute any liability whatsoever.

Type L6E Load Cell

Dimensions in mm



Specifications and dimensions are subject to change without notice and do not constitute any liability whatsoever.