

C41 ATEX CERTIFICATED EXPROOF COIL

GENERAL FEATURES

- New design
- Better performance
- Long life
- For use in potentially explosive areas
- Easy electrical installation by built-in cable, standard length 3m. Other lengths on request.

COIL CHARACTERISTICS

| | |
|-----------------------------|--|
| Continuous Duty | :ED %100 |
| Coil Insulation Class | :H (180°C) |
| Coil Impregnation | :Fiber Glass Reinforced or PP-VO (Self-Extinguishing) |
| Coil Encapsulation Material | :Fiber Glass Reinforced or PP-VO (Self-Extinguishing) |
| Ambient Temperature | : -10°C, +60°C |
| ExProof Protection Class | : II 2G Ex mb IIC T4 Gb Ex t IIIIC T 135°C Db IEP 13 ATEX 0182 X |
| Protection Degree | : IP67 (ISO 60529) |
| Electric Plug Connection | : DIN 46340 3- Poles Connector (DIN43650) |
| Connector Specification | : ISO 4400 / EN 175301-803 Form A, Spade Plug (Cable Ø6-8 mm) |
| Electrical Safety | : IEC 335 |
| Standard Voltages | : AC 12V, 24V, 48V, 110V, 230V DC 12V, 24V, 48V, 110V |

On request other voltages

Frequency : 50 Hz (60 Hz...)

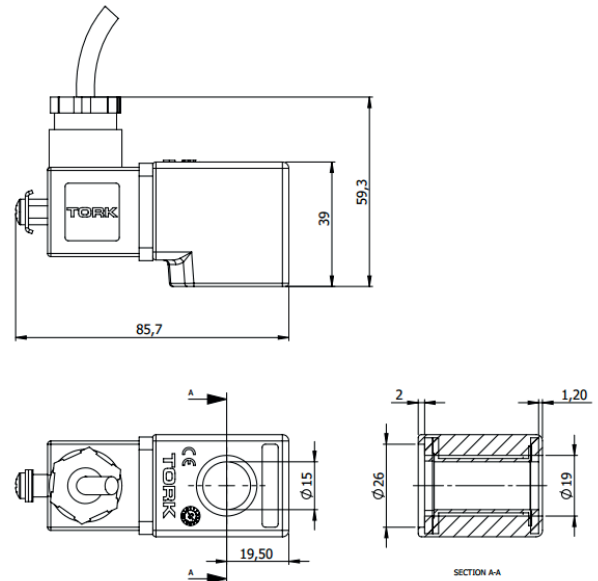
Voltages Tolerance : +/- 10 %

Specify coil voltage with order.

Voltages Tolerance : Opening Time: 400 ms to ~1600 ms
Closing Time : 1000 ms to ~2000 ms



| Coils | Nominal Values | Cold/ Hot | Inrush | Holding | Current (A) | Surface Temperature (°C) |
|---------------|----------------|-----------|--------|---------|-------------|--------------------------|
| C41012VDC18W | 12VDC 18W | COLD | 19,56 | 19,56 | 1,63 | 20 |
| | | HOT | 14,52 | 14,52 | 1,21 | 106 |
| C41024VDC18W | 24VDC 18W | COLD | 20,88 | 20,88 | 0,87 | 25 |
| | | HOT | 14,64 | 14,64 | 0,61 | 116 |
| C41110VDC18W | 110VDC 18W | COLD | 19,96 | 19,96 | 0,18 | 23 |
| | | HOT | 13,56 | 13,56 | 0,123 | 115 |
| C41012VAC15VA | 12VAC 15VA | COLD | 23,81 | 16,43 | 1,3 | 25 |
| | | HOT | - | 15,86 | 1,262 | 79 |
| C41024VAC15VA | 24VAC 15VA | COLD | 25,82 | 15,02 | 0,62 | 22 |
| | | HOT | - | 13,91 | 0,57 | 81 |
| C41110VAC15VA | 110VAC 15VA | COLD | 30,65 | 15,17 | 0,137 | 24 |
| | | HOT | - | 13,96 | 0,126 | 80 |
| C41230VAC15VA | 230VAC 15VA | COLD | 31,4 | 15,64 | 0,068 | 25 |
| | | HOT | - | 14,41 | 0,063 | 80 |
| C41230VAC15VA | 230VAC 24VA | COLD | 45,1 | 23,92 | 0,0154 | 23 |
| | | HOT | - | 21,62 | 0,0154 | 100 |



| POWER RATINGS / Alternating Current (AC) | | | |
|--|-------------|------------|-------------|
| Coils Type | Voltage (V) | Power (VA) | Current (A) |
| C41012VAC15VA | 12 | 15 | 1,25 |
| C41024VAC15VA | 24 | 15 | 0,521 |
| C41048VAC15VA | 48 | 15 | 0,312 |
| C41110VAC15VA | 110 | 15 | 0,12 |
| C41230VAC15VA | 230 | 15 | 0,06 |
| C41230VAC24VA | 230 | 24 | 0,096 |

| POWER RATINGS / Direct Current (DC) | | | |
|-------------------------------------|-------------|------------|-------------|
| Coils Type | Voltage (V) | Power (VA) | Current (A) |
| C41012VDC18W | 12 | 18 | 1,25 |
| C41024VDC18W | 24 | 18 | 0,8 |
| C41048VDC18W | 48 | 18 | 0,37 |
| C41110VDC18W | 110 | 18 | 0,163 |