

Rosemount™ 644 Temperature Transmitter



The most versatile temperature transmitter

Reduce complexity and simplify the day-to-day operations of your diverse temperature applications with the versatile Rosemount 644 family of temperature transmitters. Make better decisions for your process with the new and easy-to-use Rosemount 644 Transmitter capabilities including: diagnostics, safety certification, integral transient protection, and display options.

Features and benefits

Fulfill your needs within one model family with a customizable transmitter design



- DIN head mount, field mount, and rail mount form factors
- 4–20 mA/HART® with Selectable Revision 5 and 7, FOUNDATION Fieldbus or PROFIBUS® PA Protocol support
- SIL3 Capable: IEC 61508 certified by an accredited third-party agency for use in safety instrumented systems up to SIL 3 [minimum requirement of single use (1oo1) for SIL 2 and redundant use (1oo2) for SIL 3]
- Enhanced display with Local Operator Interface (LOI)
- LCD display
- Integral transient protection
- Enhanced accuracy and stability
- Transmitter-sensor matching with Callendar-Van Dusen constants
- Variety of enclosures

Access information when you need it with asset tags

Newly shipped devices include a unique QR code asset tag that enables you to access serialized information directly from the device. With this capability, you can:

- Access device drawings, diagrams, technical documentation, and troubleshooting information in your MyEmerson account
- Improve mean time to repair and maintain efficiency
- Ensure confidence that you have located the correct device
- Eliminate the time-consuming process of locating and transcribing nameplates to view asset information

Contents

Features and benefits.....	2
Ordering information.....	6
Specifications	18
Dimensional drawings.....	33
Specifications and reference data for Rosemount 644 HART (Device Revision 7 or Previous).....	47
Product certifications.....	55

Rosemount 644 selection guide

Rosemount 644 HART Transmitters

HART head mount and field mount



- Single or dual sensor inputs for RTD, thermocouple, mV, and ohm
- DIN A head mount and field mount transmitters
- SIL3 Capable: IEC 61508 certified by an accredited third party agency for use in safety instrumented systems up to SIL 3 (minimum requirement of single use [1oo1] for SIL 2 and redundant use [1oo2] for SIL 3)
- LCD display
- Enhanced display with LOI
- Integral transient protection
- Diagnostic suite
- Enhanced accuracy and stability
- Transmitter–sensor matching with Callendar-Van Dusen constants

HART rail mount

- Single sensor input for RTD, thermocouple, mV, and ohm
- Custom alarm and saturation levels
- Transmitter–sensor matching with Callendar-Van Dusen constants
- Hardware alarm switch

Rosemount 644 FOUNDATION Fieldbus

- Single sensor input for RTD, thermocouple, mV, and ohm
- DIN A head mount transmitter
- Standard function blocks: two analog inputs, one PID, and one backup Link Active Scheduler (LAS)
- LCD display
- ITK 5.01 compliant
- Transmitter–sensor matching with Callendar-Van Dusen constants
- Integral transient protection

Rosemount 644 PROFIBUS PA



- Single sensor input for RTD, thermocouple, mV, and ohm
- DIN A head mount transmitter
- Standard function blocks: one physical, one transducer, and one analog output
- LCD display
- Compliant to PROFIBUS PA Profile 3.02
- Transmitter–sensor matching with Callendar-Van Dusen constants

Easy to use human-centered designs to make your job simple

- Diagnostic information and process health at your fingertips with intuitive Device Dashboards (DD).
- Communication clips are easily accessible when an LCD display is attached.
- Easy wiring practices with captive sensor screw terminals, an optimized wiring diagram, and field mount enclosure option.

Optimize plant efficiency and increase visibility into the process with an expansive diagnostic offering

- Keep your process up and running with the Hot Backup™ feature where if your primary sensor fails, a second sensor seamlessly takes over and prevents the measurement failure.
- Tighten control with sensor drift alert that detects drifting sensors and proactively notifies the user.
- Enable predictive maintenance practices with thermocouple degradation diagnostic that monitors the health of the thermocouple loop.
- Improve quality with minimum and maximum temperature tracking that records temperature extremes of the process and the ambient environment.

Ordering information



The Rosemount 644 is a versatile temperature transmitter that delivers field reliability and advanced accuracy and stability to meet demanding process needs.

Transmitter features include:

- HART®/4–20 mA with Selectable Revision 5 and 7 (option code A), FOUNDATION Fieldbus (option code F) or PROFIBUS PA (option code W)
- DIN A head mount, field mount, or rail mount transmitter styles
- Head mount - Dual sensor (option code S)
- Field mount - Dual sensor (option code D)
- Safety Certified to IEC 61508 with Certificate of FMEDA Data (option code QT)
- LCD display (option code M5)
- LOI (option code M4)
- Advanced diagnostics (option codes DC and DA1)
- Enhanced transmitter accuracy and stability (option code P8)
- Transmitter-sensor matching (option code C2)

CONFIGURE >	VIEW PRODUCT >
-------------	----------------

Online product configurator

Many products are configurable online using our Product Configurator. Select the **Configure** button or visit our [website](#) to start. With this tool's built-in logic and continuous validation, you can configure your products more quickly and accurately.

Model codes

Model codes contain the details related to each product. Exact model codes will vary; an example of a typical model code is shown in [Figure 1](#).

Figure 1: Model Code Example

3144P D1 A 1 NA	M5 DA1 Q4
1	2

1. Required model components (choices available on most)
2. Additional options (variety of features and functions that may be added to products)

Specifications and options

See the Specifications and options section for more details on each configuration. Specification and selection of product materials, options, or components must be made by the purchaser of the equipment. See the Material selection section for more information.

Optimizing lead time

The starred offerings (★) represent the most common options and should be selected for best delivery. The non-starred offerings are subject to additional delivery lead time.

Required model components

Model

Code	Description	
644	Temperature transmitter	★

Transmitter type

Code	Description	
H	DIN A head mount - single sensor input	★
R	Rail mount - single sensor input	★
S	DIN A head mount - dual sensor input (HART® only)	★
F ⁽¹⁾	Field mount - single sensor input (HART only)	★
D ⁽¹⁾	Field mount - dual sensor input (HART only)	★

(1) Consult factory on availability.

Output

Code	Description	Head	Rail	
A	4–20 mA with digital signal based on HART® Protocol	●	●	★
F ⁽¹⁾	FOUNDATION™ Fieldbus digital signal (includes 2 AI function blocks and backup LAS)	●	–	★
W ⁽¹⁾	PROFIBUS® PA digital signal	●	–	★

(1) Only available with H (single sensor), not S (dual sensor).

Product certifications

Hazardous locations certificates (consult factory for availability)

Note

See [Table 1](#) for the validity of enclosures with individual approval options.

Code	Description	Head			Rail	★
		A	F	W	A	
NA	No approval	●	●	●	●	★
E5	USA Explosion-proof; Dust Ignition-proof	●	●	●	–	★
I5	USA Intrinsically Safe; Non-incendive	●	●	●	●	★
K5	USA Explosionproof; Intrinsically Safe; Non-incendive; Dust Ignition- proof	●	●	●	–	★
NK	IECEX Dust	●	●	–	–	★
KC	USA and Canada Intrinsically Safe and Non-incendive	–	–	–	●	★
KB	USA and Canada: Explosion-proof; Intrinsically Safe; Non-incendive; Dust Ignition-proof	●	–	–	–	★
KD	USA, Canada, and ATEX Explosionproof, Intrinsically Safe	●	●	●	–	★
I6	Canada Intrinsically Safe	●	●	●	●	★
K6	Canada Explosionproof; Intrinsically Safe; Non-incendive; Dust Ignition-proof	●	●	●	–	★
I3	China Intrinsic Safety	●	●	–	–	★
E3	China Flameproof	●	●	●	–	★
N3	China Type n	●	●	–	–	★
E1	ATEX Flameproof	●	●	●	–	★
N1	ATEX Type n	●	●	●	–	★
NC	ATEX Type n Component	●	●	●	●	★
K1	ATEX Flameproof; Intrinsic Safety; Type n; Dust	●	●	●	–	★
ND	ATEX Dust Ignition–Proof	●	●	●	–	★
KA	Canada and ATEX: Explosion proof; Intrinsically Safe; Non-incendive	●	–	–	–	★
I1	ATEX Intrinsic Safety	●	●	●	●	★
E7	IECEX Flameproof	●	●	●	–	★
I7	IECEX Intrinsic Safety	●	●	●	●	★
N7	IECEX Type n	●	●	●	–	★
NG	IECEX Type n Component	●	●	●	●	★
K7	IECEX Flameproof; Intrinsic Safety; Type n; Dust	●	●	–	–	★
I2	INMETRO Intrinsic Safety	●	●	●	–	★
E4	Japan Flameproof	●	●	–	–	★
I4	Japan Intrinsic Safety	–	●	–	–	★
E2	INMETRO Flameproof	●	●	●	–	★
EM	Technical Regulations Customs Union (EAC) Flameproof	●	●	●	–	★
IM	Technical Regulations Customs Union (EAC) Intrinsic Safety	●	●	●	●	★
KM	Technical Regulations Customs Union (EAC) Flameproof, Intrinsic Safety, and Dust-Ignitionproof	●	●	●	–	★

Additional options

Plantweb™ standard diagnostic functionality

Code	Description	Head			Rail	
		A	F	W	A	
DC ⁽¹⁾	Diagnostics: Hot Backup™ and sensor drift alert	●	-	-	-	★
DA1	HART® sensor and process diagnostic suite: Thermocouple diagnostic and min/max tracking	●	-	-	-	★

(1) Only available with S (dual sensor), not H (single sensor).

Enclosure

Code	Housing style	Material	Entry size	Diameter	Head			Rail	
					A	F	W	A	
J5 ⁽¹⁾⁽²⁾	Universal junction box, 2 entries	Aluminum	M20 × 1.5	3-in. (76 mm)	●	●	●	-	★
J6 ⁽²⁾	Universal junction box, 2 entries	Aluminum	½-14 NPT	3-in. (76 mm)	●	●	●	-	★
R1	Rosemount connection head, 2 entries	Aluminum	M20 × 1.5	3-in. (76 mm)	●	●	●	-	★
R2	Rosemount connection head, 2 entries	Aluminum	½-14 NPT	3-in. (76 mm)	●	●	●	-	★
J1 ⁽¹⁾	Universal junction box, 3 entries	Aluminum	M20 × 1.5	3.5-in. (89 mm)	●	●	●	-	★
J2	Universal junction box, 3 entries	Aluminum	½-14 NPT	3.5-in. (89 mm)	●	●	●	-	★
D1 ⁽¹⁾⁽³⁾⁽⁴⁾	Field mount housing, separate terminal compartment	Aluminum	M20 × 1.5	3.5-in. (89 mm)	-	-	-	-	★
D2 ⁽³⁾⁽⁴⁾	Field mount housing, separate terminal compartment	Aluminum	½-14 NPT	3.5-in. (89 mm)	-	-	-	-	★
J3 ⁽¹⁾	Universal junction box, 3 entries	Cast SST	M20 × 1.5	3.5-in. (89 mm)	●	●	●	-	
J4	Universal junction box, 3 entries	Cast SST	½-14 NPT	3.5-in. (89 mm)	●	●	●	-	
J7 ⁽¹⁾⁽²⁾	Universal junction box, 2 entries	Cast SST	M20 × 1.5	3-in. (76 mm)	●	●	●	-	
J8 ⁽²⁾	Universal junction box, 2 entries	Cast SST	½-14 NPT	3-in. (76 mm)	●	●	●	-	
R3	Rosemount connection head, 2 entries	Cast SST	M20 × 1.5	3-in. (76 mm)	●	●	●	-	
R4	Rosemount connection head, 2 entries	Cast SST	½-14 NPT	3-in. (76 mm)	●	●	●	-	

Code	Housing style	Material	Entry size	Diameter	Head			Rail
					A	F	W	A
S1	Connection head, 2 entries	Polished SST	½-14 NPT	3-in. (76 mm)	•	•	•	–
S2	Connection head, 2 entries	Polished SST	½-14 NPSM	3-in. (76 mm)	•	•	•	–
S3	Connection head, 2 entries	Polished SST	M20 × 1.5	3-in. (76 mm)	•	•	•	–
S4	Connection head, 2 entries	Polished SST	M20 × 1.5, M24 × 1.4	3-in. (76 mm)	•	•	•	–

- (1) When ordered with XA, ½-in. NPT enclosure will come equipped with an M20 adapter with the sensor installed as a process ready.
- (2) Enclosure ships equipped with 50.8 mm (2-in.) SST pipe U-bolt mounting kit except when ordered with XA.
- (3) Only available with S (dual sensor), not H (single sensor).
- (4) Available with Transmitter Type 644F or 644D only.

Mounting bracket

Bracket assembly is only available with J1, J2, J3, J4, D1, and D2 option.

Code	Description	Head			Rail
		A	F	W	A
B4	316 SST U-bolt mounting bracket, 2-in. pipe mount	•	•	•	• ★
B5	“L” mounting bracket for 2-in. pipe or panel mounting	•	•	•	• ★

Display and interface

Code	Description	Head			Rail
		A	F	W	A
M4	LCD display with LOI	•	–	–	– ★
M5	LCD display	•	•	•	– ★

Software configuration

Code	Description	Head			Rail
		A	F	W	A
C1	Custom configuration of date, descriptor and message (requires CDS with order)	•	•	•	• ★

Enhanced performance

See Table 18 for enhanced accuracy specifications.

Code	Description	Head			Rail
		A	F	W	A
P8	Enhanced transmitter accuracy and stability	•	–	–	– ★

Alert level configuration

Code	Description	Head			Rail	
		A	F	W	A	
A1	NAMUR alarm and saturation levels, high alarm	•	-	-	•	★
CN	NAMUR alarm and saturation levels, low alarm	•	-	-	•	★
C8	Low alarm (standard Rosemount alarm and saturation values)	•	-	-	•	★

Line filter

Code	Description	Head			Rail	
		A	F	W	A	
F5	50 Hz line voltage filter	•	•	•	•	★
F6	60 Hz line voltage filter	•	•	•	•	★

Sensor trim

Code	Description	Head			Rail	
		A	F	W	A	
C2	Transmitter sensor matching - trim to specific Rosemount RTD calibration schedule (CVD constants)	•	•	•	•	★

5-Point calibration

Code	Description	Head			Rail	
		A	F	W	A	
C4	5-Point calibration (use option code Q4 to generate a calibration certificate)	•	•	•	•	★

Calibration certificate

Code	Description	Head			Rail	
		A	F	W	A	
Q4	Calibration certificate (3-Point calibration with certificate)	•	•	•	•	★
QP	Calibration certification and tamper evident seal	•	-	-	-	★

Custody transfer

Code	Description	Head			Rail	
		A	F	W	A	
D4	MID Custody Transfer (Europe)	•	-	-	-	★

Quality certification for safety

Code	Description	Head			Rail	
		A	F	W	A	
QT	Safety Certified to IEC 61508 with certificate of FMEDA data	•	-	-	-	★

Shipboard certification

Code	Description	Head			Rail	
		A	F	W	A	
SBS	American Bureau of Shipping (ABS) Type Approval	•	•	•	-	★
SBV	Bureau Veritas (BV) Type Approval	•	•	•	-	★
SDN	Det Norske Veritas (DNV) Type Approval	•	•	•	-	★
SLL	Lloyd's Register (LR) Type Approval	•	•	•	-	★

External ground

Code	Description	Head			Rail	
		A	F	W	A	
G1	External ground lug assembly (see External ground screw assembly assembly)	•	•	•	-	★

Transient protection

Transient protection option requires the use of J1, J2, J3, J4, D1, or D2.

Transient protection with output option code F only available with E1, EM, EP, E2, E3, E4, E5, E7, I1, I3, I7, N1, N3, N7, and NA product certifications.

Code	Description	Head			Rail	
		A	F	W	A	
T1	Integral transient protector	•	•	-	-	★

Cable gland

Code	Description	Head			Rail	
		A	F	W	A	
G2	Cable gland (7.5–11.99 mm)	•	•	•	-	★
G7	Cable gland, M20 × 1.5, Ex e, blue polyamide (5–9 mm)	•	•	•	-	★

Cover chain

Code	Description	Head			Rail	
		A	F	W	A	
G3	Cover chain	•	•	•	-	★

Conduit electric connector

This option is available with Intrinsically Safe approvals only. For USA Intrinsically Safe or non-incendive approval (option code I5), install in accordance with Rosemount drawing 03151-1009.

Code	Description	Head			Rail	
		A	F	W	A	
GE	M12, 4-pin, male connector (eurofast®)	•	•	•	-	★
GM	A size mini, 4-pin, male connector (minifast®)	•	•	•	-	★

External label

Code	Description	Head			Rail	
		A	F	W	A	
EL	External label for ATEX Intrinsic Safety	•	•	•	-	★

HART revision configuration

Code	Description	Head			Rail	
		A	F	W	A	
HR5	Configured for HART® Revision 5	•	-	-	-	★
HR7 ⁽¹⁾	Configured for HART Revision 7	•	-	-	-	★

(1) Configures the HART output to HART Revision 7. The device can be field configured to HART Revision 5 if needed.

Assemble to options

Code	Description	Head			Rail	
		A	F	W	A	
XA	Sensor specified separately and assembled to transmitter	•	•	•	-	★

Extended product warranty

Code	Description	Head			Rail	
		A	F	W	A	
WR3	3-year limited warranty	•	•	•	•	★
WR5	5-year limited warranty	•	•	•	•	★

Enclosure option valid with individual approval codes

Note

For additional options (e.g., K codes), contact your local Emerson representative.

Table 1: Rosemount 644 Enclosure Options Valid with Individual Approval Codes

Code	Hazardous location approval description	Enclosure option valid with approval
NA	No approval	J1, J2, J3, J4, R1, R2, R3, R4, J5, J6, J7, J8, S1, S2, S3, S4, D1, D2
E5	USA Explosion proof; Dust Ignition-proof	J1, J2, J3, J4, R1, R2, R3, R4, J5, J6, J7, J8, D1, D2
I5	USA Intrinsically Safe; Non-incendive	J1, J2, J3, J4, R1, R2, R3, R4, J5, J6, J7, J8, D1, D2
K5	USA Explosion proof; Intrinsically Safe; Non-incendive; Dust Ignition-proof	J1, J2, J3, J4, R1, R2, R3, R4, J5, J6, J7, J8, D1, D2
NK	IECEEx Dust	J1, J2, J3, J4, R1, R2, R3, R4, J5, J6, J7, J8, D1, D2
KC	USA and Canada Intrinsically Safe and Non-incendive	Only available with Rail mount device
KB	USA and Canada: Explosion proof; Intrinsically Safe; Non-incendive; Dust Ignition-proof	J2, J4, R2, R4, J6, J8, D2
KD	USA, Canada, and ATEX Explosion proof, Intrinsically Safe	J2, J4, R2, R4, J6, J8, D2
I6	Canada Intrinsically Safe	J1, J2, J3, J4, R1, R2, R3, R4, J5, J6, J7, J8, D1, D2
K6	Canada Explosion proof; Intrinsically Safe; Non-incendive; Dust Ignition-proof	J2, J4, R2, R4, J6, J8, D2
I3	China Intrinsic Safety	J1, J2, J3, J4, R1, R2, R3, R4, J5, J6, J7, J8, D1, D2
E3	China Flameproof	R1, R2, R3, R4, J1, J2, J3, J4, J5, J6, J7, J8, D1, D2
N3	China Type n	R1, R2, R3, R4, J1, J2, J3, J4, J5, J6, J7, J8, D1, D2
E1	ATEX Flameproof	J1, J2, J3, J4, R1, R2, R3, R4, J5, J6, J7, J8, D1, D2
N1	ATEX Type n	J1, J2, J3, J4, R1, R2, R3, R4, J5, J6, J7, J8, D1, D2
NC	ATEX Type n Component	None
K1	ATEX Flameproof; Intrinsic Safety; Type n; Dust	J1, J2, J3, J4, R1, R2, R3, R4, J5, J6, J7, J8, D1, D2
ND	ATEX Dust Ignition-Proof	J1, J2, J3, J4, R1, R2, R3, R4, J5, J6, J7, J8, D1, D2
KA	Canada and ATEX: Explosion proof; Intrinsically Safe; Non-incendive	J2, J4, R2, R4, J6, J8, D2
I1	ATEX Intrinsic Safety	J1, J2, J3, J4, R1, R2, R3, R4, J5, J6, J7, J8, S1, S2, S3, S4, D1, D2
E7	IECEEx Flameproof	J1, J2, J3, J4, R1, R2, R3, R4, J5, J6, J7, J8, D1, D2
I7	IECEEx Intrinsic Safety	J1, J2, J3, J4, R1, R2, R3, R4, J5, J6, J7, J8, S1, S2, S3, S4, D1, D2
N7	IECEEx Type n	J1, J2, J3, J4, R1, R2, R3, R4, J5, J6, J7, J8, D1, D2
NG	IECEEx Type n Component	None
K7	IECEEx Flameproof; Intrinsic Safety; Type n; Dust	J1, J2, J3, J4, R1, R2, R3, R4, J5, J6, J7, J8, D1, D2
I2	INMETRO Intrinsic Safety	J1, J2, J3, J4, R1, R2, R3, R4, J5, J6, J7, J8
E4	Japan Flameproof	J2, J6
E2	INMETRO Flameproof	R1, R2, R3, R4, J1, J2, J3, J4, J5, J6, J7, J8, D1, D2

Table 1: Rosemount 644 Enclosure Options Valid with Individual Approval Codes (continued)

Code	Hazardous location approval description	Enclosure option valid with approval
KM	Technical Regulations Customs Union (EAC) Flameproof, Intrinsic Safety, and Dust-Ignition proof	J1, J2, J3, J4, J5, J6, J7, J8, R1, R2, R3, R4,
IM	Technical Regulations Customs Union (EAC) Intrinsic Safety	D1, D2, J1, J2, J3, J4, J5, J6, J7, J8, R1, R2, R3, R4, S1, S2, S3, S4
EM	Technical Regulations Customs Union (EAC) Flameproof	J1, J2, J3, J4, J5, J6, J7, J8, R1, R2, R3, R4,
K2	INMETRO Flameproof, Intrinsic Safety	R1, R2, R3, R4, J1, J2, J3, J4, J5, J6, J7, J8

Tagging

Hardware

- 18 characters total
- Tags are adhesive or metal labels
- Tag is permanently attached to transmitter

Software

The transmitter can store up to 32 characters for FOUNDATION Fieldbus and PROFIBUS PA or 8 for HART protocol. If no characters are specified, the first 8 characters of the hardware tag are the default. An optional 32-character software tag is available when option code HR7 is ordered.

Considerations

External ground screw assembly

The external ground screw assembly can be ordered by specifying code G1 when an enclosure is specified. However, some approvals include the ground screw assembly in the transmitter shipment, hence it is not necessary to order code G1. The [Table 2](#) identifies which approval options include the external ground screw assembly and which do not.

Table 2: External Ground Screw Assembly

Option code	External Ground Screw Assembly Included?
E5, I1, I2, I3, I4, I5, I6, I7, IM, IP, K5, K6, NA, KB	No—order option code G1
E1, E2, E3, E4, E7, EM, EP, KM, KP, K7, N1, N7, ND, K1, K2, KA, NK, N3, KD, T1	Yes

Table 3: Enclosure Spares

Description	Part number
Universal head, aluminum, standard cover, 2-conduit - M20 entries	00644-4420-0002
Universal head, aluminum, display cover, 2-conduit - M20 entries	00644-4420-0102
Universal head, aluminum, standard cover, 2-conduit - ½–14 NPT entries	00644-4420-0001
Universal head, aluminum, display cover, 2-conduit - ½–14 NPT entries	00644-4420-0101
Universal head, SST, standard cover, 2-conduit - M20 entries	00644-4433-0002
Universal head, SST, display cover, 2-conduit - M20 entries	00644-4433-0102

Table 3: Enclosure Spares (continued)

Description	Part number
Universal head, SST, standard cover, 2-conduit - ½-14 NPT entries	00644-4433-0001
Universal head, SST, display cover, 2-conduit - ½-14 NPT entries	00644-4433-0101
Connection head, aluminum, standard cover, 2-conduit - M20 × ½ ANPT entries	00644-4410-0021
Connection head, aluminum, display cover, 2-conduit - M20 × ½ ANPT entries	00644-4410-0121
Connection head, aluminum, standard cover, 2-conduit - ½-14 NPT × ½ ANPT entries	00644-4410-0011
Connection head, aluminum, display cover, 2-conduit - ½-14 NPT × ½ ANPT entries	00644-4410-0111
Connection head, SST, standard cover, 2-conduit - M20 × ½ ANPT entries	00644-4411-0021
Connection head, SST, display cover, 2-conduit - M20 × ½ ANPT entries	00644-4411-0121
Connection head, SST, standard cover, 2-conduit - ½-14 NPT × ½ ANPT entries	00644-4411-0011
Connection head, SST, display cover, 2-conduit - ½-14 NPT × ½ ANPT entries	00644-4411-0111
Connection head, polished SST, standard cover, 2-conduit - M20 × 1.5 entries	00079-0312-0033
Connection head, polished SST, display cover, 2-conduit - M20 × 1.5 entries	00079-0312-0133
Connection head, polished SST, standard cover, 2-conduit - M20 × 1.5/M24 × 1.5 entries	00079-0312-0034
Connection head, polished SST, display cover, 2-conduit - M20 × 1.5/M24 × 1.5 entries	00079-0312-0134
Connection head, polished SST, standard cover, 2-conduit - ½ -14 NPT entries	00079-0312-0011
Connection head, polished SST, display cover, 2-conduit - ½-14 NPT entries	00079-0312-0111
Connection head, polished SST, standard cover, 2-conduit - ½-14 NPSM entries	00079-0312-0022
Connection head, polished SST, display cover, 2-conduit - ½-14 NPSM entries	00079-0312-0122
Universal head, aluminum, standard cover, 3-conduit - M20 entries	00644-4439-0001
Universal head, aluminum, display cover, 3-conduit - M20 entries	00644-4439-0101
Universal head, aluminum, standard cover, 3-conduit - ½-14 NPT entries	00644-4439-0002
Universal head, aluminum, display cover, 3-conduit - ½-14 NPT entries	00644-4439-0102
Universal head, SST, standard cover, 3-conduit - M20 entries	00644-4439-0003
Universal head, SST, display cover, 3-conduit - M20 entries	00644-4439-0103
Universal head, SST, standard cover, 3-conduit - ½ -14 NPT entries	00644-4439-0004
Universal head, SST, display cover, 3-conduit - ½ -14 NPT entries	00644-4439-0104

Table 4: Display Kit Spares

Description	Part number
Display only	
Rosemount 644 HART LCD display (option M5)	00644-7730-0001
Rosemount 644 HART LOI (option M4)	00644-7730-1001
Rosemount 644 FOUNDATION Fieldbus LCD display (option M5)	00644-4430-0002
Rosemount 644 PROFIBUS PA LCD display (option M5)	00644-4430-0002
Rosemount 644 HART Legacy display kit (option M5 - device rev 7)	00644-4430-0002

Table 4: Display Kit Spares (continued)

Description	Part number
Display with aluminum cover	
Rosemount 644 HART LCD display (option M5)	00644-7730-0011
Rosemount 644 HART LCD display (option M5 - for use with options J1-J2)	00644-7730-0111
Rosemount 644 HART LOI (option M4)	00644-7730-1011
Rosemount 644 HART LOI (option M4 - for use with options J1-J2)	00644-7730-1111
Rosemount 644 FOUNDATION Fieldbus LCD display (option M5)	00644-4430-0001
Rosemount 644 PROFIBUS PA LCD display (option M5)	00644-4430-0001
Rosemount 644 HART Legacy display kit (option M5)	00644-4430-0001
Display with SST meter cover	
Rosemount 644 HART LCD display (option M5) ⁽¹⁾	00644-7730-0021
Rosemount 644 HART LCD display (option M5) ⁽²⁾	00644-7730-0121
Rosemount 644 HART LOI (option M4) ⁽¹⁾	00644-7730-1021
Rosemount 644 HART LOI (option M4) ⁽²⁾	00644-7730-1121
Rosemount 644 FOUNDATION Fieldbus LCD display (option M5) ⁽¹⁾	00644-4430-0011
Rosemount 644 PROFIBUS PA LCD display (option M5) ⁽¹⁾	00644-4430-0011
Rosemount 644 HART Legacy display kit (option M5) ⁽¹⁾	00644-4430-0011

(1) Covers provided are compatible with the 3-in. (76 mm) universal junction box and Rosemount connection head enclosure styles.

(2) Cover provided is compatible with the 3.5-in. (89 mm) universal junction box and field mount enclosure styles.

Table 5: Transient Protection Spares

Description	Part number
HART transient protector without enclosure	00644-4537-0001
HART transient protector with universal head, aluminum, standard cover, 3-conduit - M20	00644-4538-0001
HART transient protector with universal head, aluminum, display cover, 3-conduit - M20	00644-4538-0101
HART transient protector with universal head, aluminum, standard cover, 3-conduit - ½ NPT	00644-4538-0002
HART transient protector with universal head, aluminum, display cover, 3-conduit - ½ NPT	00644-4538-0102
HART transient protector with universal head, SST, standard cover, 3-conduit - M20	00644-4538-0003
HART transient protector with universal head, SST, display cover, 3-conduit - M20	00644-4538-0103
HART transient protector with universal head, SST, standard cover, 3-conduit - ½-NPT	00644-4538-0004
HART transient protector with universal head, SST, display cover, 3-conduit - ½-NPT	00644-4538-0104
FOUNDATION Fieldbus transient protector without enclosure	00644-4539-0001

Table 6: Miscellaneous Accessories

Description	Part number
Stainless steel meter housing cover, Fieldbus extended	03031-0199-0025
Ground screw assembly kit ⁽¹⁾	00644-4431-0001
Mounting screws and springs	00644-4424-0001

Table 6: Miscellaneous Accessories (continued)

Description	Part number
Hardware kit for mounting a Rosemount 644 head mount to a DIN rail (includes clips for symmetrical and asymmetrical rails)	00644-5301-0010
Hardware kit for retrofitting a Rosemount 644 head mount in an existing threaded sensor connection head (former option code L1)	00644-5321-0010
U-bolt mounting kit for universal housing	00644-4423-0001
U-bolt mounting bracket, 2-in. pipe mount - 316 SST (option B4)	00644-7610-0001
L - mounting bracket for 2-in. pipe or panel mounting, SST, 2 g vibration rating (option B5)	00644-7611-0001
Universal clip for rail or wall mount	03044-4103-0001
24-in. of symmetric (top hat) rail	03044-4200-0001
24-in. of asymmetric (G) rail	03044-4201-0001
Ground clamp for symmetric or asymmetric rail	03044-4202-0001
Snap rings kit (used for assembly to a DIN sensor)	00644-4432-0001
Cover clamp assembly for 2-conduit J-box	00644-4434-0001
Cover clamp assembly for 3-conduit J-box	00644-4434-0002
Terminal block, 13 mm M4 mounting screws	00065-0305-0001

(1) *Compatible with the 3-in. (76 mm) universal junction box and Rosemount connection head enclosure styles.*

Table 7: Housing Covers

Description	Part number
Standard cover- aluminum (J5, J6, R1, R2)	03031-0292-0001
Standard cover- SST (J7, J8, R3, R4)	03031-0292-0002
Aluminum meter cover (J5, J6, R1, R2)	03031-0199-0015
SST meter cover (J7, J8, R3, R4)	03031-0199-0025

Specifications

HART, FOUNDATION Fieldbus, and PROFIBUS PA Protocols

Functional specifications

Inputs

User-selectable; sensor terminals rated to 42.4 Vdc. See [Accuracy example \(FOUNDATION Fieldbus and PROFIBUS PA devices\)](#).

Output

Single two-wire device with either 4–20 mA/HART®, linear with temperature or input; or completely digital outputs with FOUNDATION™ Fieldbus communication (ITK 5.01 compliant), or PROFIBUS® PA (compliant with profile 3.02).

Isolation

Input/output isolation tested to 620 Vrms.

Local display options

- LCD display** An optional 11 digit, two-line integral LCD display operates with a floating or fixed decimal point. It displays engineering units (°F, °C, °R, K, Ohms and mV), mA, and percent of range. The display can be configured to alternate between selected display options. Display settings are pre-configured at the factory according to the standard transmitter configuration. They can be re-configured in the field using either HART, FOUNDATION Fieldbus, or PROFIBUS PA communications.
- LCD display with LOI** An optional 14-digit, two-line integral LCD display operates with a floating or fixed decimal point. The LOI includes all features and functionality available in the regular display with an added two-button configuration capability directly at the display interface. The LOI also has optional password protection for secure operations. The LOI is only available on the Rosemount 644 HART head mount and field mount transmitters.
For more information on the LOI configuration options or further functionality that the LOI offers, see the Rosemount 644 Temperature Transmitter [Reference Manual](#).

Humidity limits

0–95 percent relative humidity

Update time

≤0.5 second per sensor

Accuracy (default configuration) PT 100

HART standard: ±0.15 °C

HART enhanced: ±0.1 °C

FOUNDATION Fieldbus: ±0.15 °C

PROFIBUS PA: ±0.15 °C

Physical specifications

Material selection

Emerson provides a variety of Rosemount product with various product options and configurations including materials of construction that can be expected to perform well in a wide range of applications. The Rosemount product information presented is intended as a guide for the purchaser to make an appropriate selection for the application. It is the purchaser’s sole responsibility to make a careful analysis of all process parameters (such as all chemical components, temperature, pressure, flow rate, abrasives, contaminants, etc.), when specifying product, materials, options and components for the particular application. Emerson is not in a position to evaluate or guarantee the compatibility of the process fluid or other process parameters with the product, options, configuration or materials of construction selected.

Conformance to specifications (±3σ [Sigma])

Technology leadership, advanced manufacturing techniques, and statistical process control ensure specification conformance to at least ±3σ.

Table 8: Electrical Connections

Rosemount model	Power and sensor terminals
Head mount (HART®)	Captivated screw terminals permanently fixed to terminal block
Head mount (FOUNDATION™ Fieldbus/PROFIBUS® PA)	Compression screw terminals permanently fixed to the terminal block
Field mount (HART)	Captivated screw terminals permanently fixed to the terminal block
Rail mount (HART)	Compression screw permanently fixed to front panel

Table 9: Field Communicator Connections

Communication terminals	
Rosemount 644 head/field mount	Clips permanently fixed to terminal block
Rosemount 644 rail mount	Clips permanently fixed to front panel

Table 10: Materials of Construction

Electronics housing and terminal block	
Rosemount 644 head/ field mount	GE polyphenylene oxide glass reinforced GFN -2 or -3
Rosemount 644 rail mount	Polycarbonate
Enclosure (Options J1, J2, J5, J6, R1, R2, D1, and D2)	
Housing	Low-copper aluminum
Paint	Polyurethane
Cover O-ring	Buna-N

Materials of construction (stainless steel housing for biotechnology, pharmaceutical industries, and sanitary applications)

Housing and standard meter cover

- 316 SST

Cover O-ring

- Buna-N

Mounting

The Rosemount 644R attaches directly to a wall or a DIN rail. The Rosemount 644H installs in a connection head or universal head mounted directly on a sensor assembly, apart from a sensor assembly using a universal head, or to a DIN rail using an optional mounting clip.

Special mounting considerations

See mounting kits for Rosemount 644H for the special hardware that is available to:

- Mount a Rosemount 644H to a DIN rail (see [Dimensional drawings](#)).
- Retrofit a new Rosemount 644H to replace an existing Rosemount 644H Transmitter in an existing threaded sensor connection head (see [Table 3](#)).

Table 11: Weight

Code	Options	Weight
644H	HART, head mount transmitter	78 g (2.75 oz)
644H	FOUNDATION Fieldbus, head mount transmitter	92 g (3.25 oz)
644H	PROFIBUS PA, head mount transmitter	92 g (3.25 oz)
644R	HART, rail mount transmitter	174 g (6.14 oz)
M5	LCD display	34 g (1.2 oz)
M4	LCD display with local operator interface	34 g (1.2 oz)
J1, J2	Universal head, 3-conduits, standard cover	718 g (25.33 oz)
J1, J2	Universal head, 3-conduits, meter cover	826 g (29.14 oz)

Table 11: Weight (continued)

Code	Options	Weight
J3, J4	Cast SST universal head, 3-conduits, standard cover	2073 g (73.12 oz)
J3, J4	Cast SST universal head, 3-conduits, meter cover	2148 g (75.77 oz)
J5, J6	Aluminum 2-conduits, universal head, standard cover	520g (18.43 oz)
J5, J6	Aluminum 2-conduits, universal head, meter cover	604 g (21.27 oz)
J7, J8	Cast SST universal head 2-conduits, standard, cover	1673 g (59.0 oz)
J7, J8	Cast SST universal head 2-conduits, meter cover	1835 g (64.73 oz)
R1, R2	Aluminum connection head, standard cover	523 g (18.45 oz)
R1, R2	Aluminum connection head, meter cover	618 g (21.79 oz)
R3, R4	Cast SST connection head, standard cover	1615 g (56.97 oz)
R3, R4	Cast SST connection head, meter cover	1747 g (61.62 oz)
D1, D2	HART, field mount transmitter, aluminum housing, meter cover, standard cover	1128 g (39.79 oz)

Table 12: Weight (stainless steel housing for biotechnology, pharmaceutical industries, and sanitary applications)

Option codes	Standard cover	Meter cover
S1, S2, S3, S4	840 g (27 oz)	995 g (32 oz)

Enclosure ratings (Rosemount 644H/F)

All available enclosures are Type 4X, IP66, and IP68.

Sanitary housing surface

Surface finish is polished to 32 RMA. Laser etched product marking on housing and standard covers.

Performance specifications

Electromagnetic Compatibility (EMC)

Meets all industrial environment requirements of EN61326 and NAMUR NE-21. Maximum deviation <1% span during EMC disturbance.

Note

During surge event, device may exceed maximum EMC deviation limit or reset; however, device will self-recover and return to normal operation within specified start-up time.

Power supply effect

Less than ±0.005 percent of span per volt

Stability

RTDs and thermocouples have a stability of ±0.15 percent of output reading or 0.15 °C (whichever is greater) for 24 months.

When ordered with the P8 option code:

- RTDs: ±0.25 percent of reading or 0.25 °C, whichever is greater, for five years
- Thermocouples: ±0.5 percent of reading or 0.5 °C, whichever is greater, for five years

Self calibration

The analog-to-digital measurement circuitry automatically self-calibrates for each temperature update by comparing the dynamic measurement to extremely stable and accurate internal reference elements.

Table 13: Vibration effect

The Rosemount 644 HART® head mount and field mount are tested to the following specifications with no effect on performance per IEC 60770-1, 2010:

Frequency	Vibration
10–60 Hz	0.35 mm displacement
60–1000 Hz	5g (50 m/s ²) peak acceleration


The Rosemount 644 Fieldbus and PROFIBUS are tested to the following specifications with no effect on performance per IEC 60770-1: 1999:

Frequency	Vibration
10–60 Hz	0.21 mm displacement
60–2000 Hz	3 g peak acceleration

Table 14: Rosemount 644 Sensor Connections Diagrams

Emerson provides 4-wire sensors for all single element RTDs. You can use these RTDs in 3-wire configurations by leaving the unneeded leads disconnected and insulated with electrical tape.

HART head mount



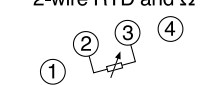
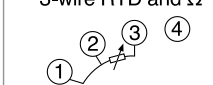
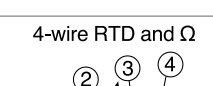
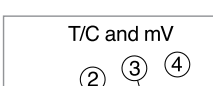
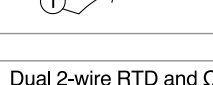
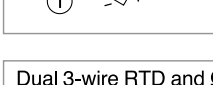
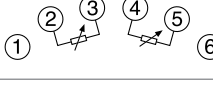

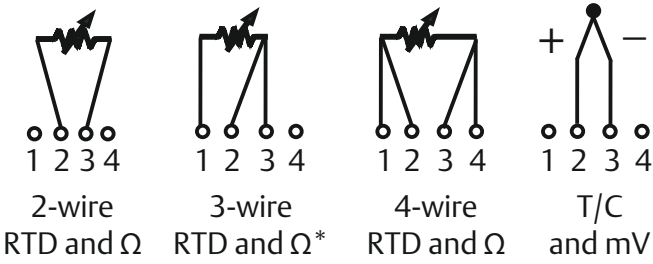

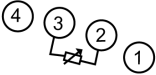
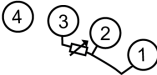
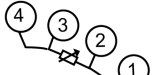




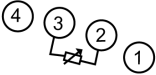
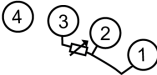
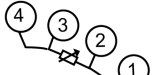




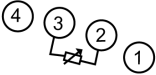
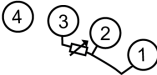
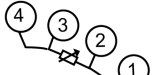




Single Input Wiring	2-wire RTD and Ω 	3-wire RTD and Ω 
	4-wire RTD and Ω 	T/C and mV 
Dual Input Wiring	Dual 2-wire RTD and Ω 	Dual 3-wire RTD and Ω 
	Dual T/C and mV 	

Table 14: Rosemount 644 Sensor Connections Diagrams (continued)

<p>HART rail mount Fieldbus PROFIBUS</p> 	 <p>2-wire RTD and Ω</p> <p>3-wire RTD and Ω^*</p> <p>4-wire RTD and Ω</p> <p>T/C and mV</p>												
<p>HART field mount</p> 	<table border="1"> <tr> <td data-bbox="820 1255 966 1318">Single Input Wiring</td> <td data-bbox="974 1255 1209 1381"> <p>2-wire RTD and Ω</p>  </td> <td data-bbox="1226 1255 1469 1381"> <p>3-wire RTD and Ω</p>  </td> </tr> <tr> <td></td> <td data-bbox="974 1396 1209 1522"> <p>4-wire RTD and Ω</p>  </td> <td data-bbox="1226 1396 1469 1522"> <p>T/C and mV</p>  </td> </tr> <tr> <td data-bbox="820 1549 966 1612">Dual Input Wiring</td> <td data-bbox="974 1549 1209 1675"> <p>Dual 2-wire RTD and Ω</p>  </td> <td data-bbox="1226 1549 1469 1675"> <p>Dual 3-wire RTD and Ω</p>  </td> </tr> <tr> <td></td> <td data-bbox="974 1690 1209 1816"> <p>Dual T/C and mV</p>  </td> <td></td> </tr> </table>	Single Input Wiring	<p>2-wire RTD and Ω</p> 	<p>3-wire RTD and Ω</p> 		<p>4-wire RTD and Ω</p> 	<p>T/C and mV</p> 	Dual Input Wiring	<p>Dual 2-wire RTD and Ω</p> 	<p>Dual 3-wire RTD and Ω</p> 		<p>Dual T/C and mV</p> 	
Single Input Wiring	<p>2-wire RTD and Ω</p> 	<p>3-wire RTD and Ω</p> 											
	<p>4-wire RTD and Ω</p> 	<p>T/C and mV</p> 											
Dual Input Wiring	<p>Dual 2-wire RTD and Ω</p> 	<p>Dual 3-wire RTD and Ω</p> 											
	<p>Dual T/C and mV</p> 												

FOUNDATION Fieldbus specifications

Function blocks

Resource block

The resource block contains physical transmitter information including available memory, manufacture identification, device type, software tag, and unique identification.

Transducer block

The transducer block contains the actual temperature measurement data, including sensor 1 and terminal temperature. It includes information about sensor type and configuration, engineering units, linearization, reranging, damping, temperature correction, and diagnostics.

LCD display block

The LCD display block is used to configure the local display, if an LCD display is being used.

Analog input (AI)

- Processes the measurement and makes it available on the Fieldbus segment.
- Allows filtering, alarming, and engineering unit changes.

PID block

The transmitter provides control functionality with one PID function block in the transmitter. The PID block can be used to perform single loop, cascade, or feedforward control in the field.

Block	Execution time (milliseconds)
Resource	N/A
Transducer	N/A
LCD display block	N/A
Analog input 1	45
Analog Input 2	45
PID 1	60

Turn-on time

Performance within specifications in less than 20 seconds after power is applied, when damping value is set to zero seconds.

Status

If self-diagnostics detect a sensor burnout or a transmitter failure, the status of the measurement will be updated accordingly. Status may also send the AI output to a safe value.

Power supply

Powered over FOUNDATION Fieldbus with standard Fieldbus power supplies. The transmitter operates between 9.0 and 32.0 Vdc, 12 mA maximum.

Alarms

The AI function block allows the user to configure the alarms to HI-HI, HI, LO, or LO-LO with hysteresis settings.

Backup Link Active Scheduler (LAS)

The transmitter is classified as a device link master, which means it can function as a LAS if the current link master device fails or is removed from the segment.

The host or other configuration tool is used to download the schedule for the application to the link master device. In the absence of a primary link master, the transmitter will claim the LAS and provide permanent control for the H1 segment.

FOUNDATION Fieldbus parameters

Schedule entries	25
Links	16
Virtual Communications Relationships (VCR)	12

PROFIBUS PA specifications

Function blocks

Physical block

The physical block contains physical transmitter information including manufacturer identification, device type, software tag, and unique identification.

Transducer block

The transducer block contains the actual temperature measurement data, including sensor 1 and terminal temperature. It includes information about sensor type and configuration, engineering units, linearization, re-ranging, damping, temperature correction, and diagnostics.

Analog Input block (AI)

The AI block processes the measurement and makes it available on the PROFIBUS segment. Allows filtering, alarming, and engineering unit changes.

Turn-on time

Performance within specifications in less than 20 seconds after power is applied, when damping value is set to zero seconds.

Powersupply

Powered over PROFIBUS with standard Fieldbus power supplies. The transmitter operates between 9.0 and 32.0 Vdc, 12 mA maximum.

Alarms

The AI function block allows the user to configure the alarms to HI-HI, HI, LO, or LO-LO with hysteresis settings.

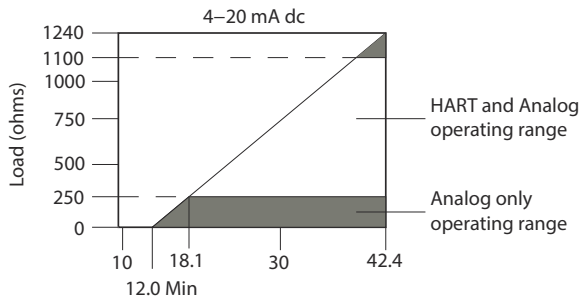
4–20 mA/HART specifications

Power supply

External power supply required. Transmitters operate on 12.0–42.4 Vdc transmitter terminal voltage (with 250 ohm load, 18.1 Vdc power supply voltage is required). Transmitter power terminals rated to 42.4 Vdc.

Figure 2: Load Limitations

$$\text{Maximum load} = 40.8 \times (\text{supply voltage} - 12.0)^{(1)}$$



(1) Without transient protection (optional).

Note

HART® Communication requires a loop resistance between 250 and 1100 Ohms. Do not communicate with the transmitter when power is below 12 Vdc at the transmitter terminals.

Temperature limits

Description	Operating limit ⁽¹⁾	Storage limit ⁽¹⁾
With LCD display ⁽²⁾	–40 to 185 °F –40 to 85 °C	–50 to 185 °F –45 to 85 °C
Without LCD display	–40 to 185 °F –40 to 85 °C	–58 to 250 °F –50 to 120 °C

(1) The lower operating and storage temperature limit of a transmitter with option code BR6 is –76 °F (–60 °C).

(2) LCD display may not be readable and display updates will be slower at temperatures below –22 °F (–30 °C).

Hardware and software failure mode

The Rosemount 644 features software driven alarm diagnostics and an independent circuit, which is designed to provide backup alarm output if the microprocessor software fails. The alarm direction (HI/LO) is user-selectable using the failure mode switch. If failure occurs, the position of the switch determines the direction in which the output is driven (HI or LO). The switch feeds into the digital-to-analog (D/A) converter, which drives the proper alarm output even if the microprocessor fails. The values at which the transmitter software drives its output in failure mode depends on whether it is configured to standard, custom, or NAMUR-compliant (NAMUR recommendation NE 43, June 1997) operation. Table 15 shows the configuration alarm ranges.

Table 15: Available Alarm Range

Units - mA	Min	Max	Rosemount	Namur
High alarm	21	23	21.75	21
Low alarm ⁽¹⁾	3.5	3.75	3.75	3.6
High saturation	20.5	20.9 ⁽²⁾	20.5	20.5
Low saturation ⁽¹⁾	3.7 ⁽³⁾	3.9	3.9	3.8

(1) Requires 0.1 mA gap between low alarm and low saturation values.

- (2) Rail mount transmitters have a high saturation max of 0.1 mA less than the high alarm setting, with a max value of 0.1 mA less than the high alarm max.
- (3) Rail mount transmitters have a low saturation min of 0.1 mA greater than the low alarm setting, with a minimum of 0.1 mA greater than the low alarm min.

Custom alarm and saturation level

Custom factory configuration of alarm and saturation level is available with option code C1 for valid values. These values can also be configured in the field using a Field Communicator.

Turn-on time

Performance within specifications in less than six seconds after power is applied, when damping value is set to zero seconds.

External transient protection

The Rosemount 470 Transient Protector prevents damage from transients induced by lightning, welding, or heavy electrical equipment. For more information, refer to the Rosemount 470 Transient Protector [Product Data Sheet](#). Transient Protection (option code T1)

The transient protector helps to prevent damage to the transmitter from transients induced on the loop wiring by lightning, welding, heavy electrical equipment, or switch gears. The transient protection electronics are contained in an add-on assembly that attaches to the standard transmitter terminal block. The external ground lug assembly (code G1) is included with the transient protector. The transient protector has been tested per the following standard:

- IEEE C62.41-2002 (IEEE 587)/Location Categories B3. 6 kV/3 kA peak (1.2 50 Ω × Wave 8 20 Ω s Combination Wave) 6 kV/0.5 kA peak (100 kHz Ring Wave) EFT, 4 kVpeak, 2.5 kHz, 5 × 50 nS
- Loop resistance added by protector: 22 ohms max.
- Nominal clamping voltages: 90 V (common mode), 77 V (normal mode)

Standard accuracy

Table 16: Rosemount 644 Transmitter Accuracy

Sensor options	Sensor reference	Input ranges		Minimum span ⁽¹⁾		Digital accuracy ⁽²⁾		D/A accuracy ⁽³⁾⁽⁴⁾
		°C	°F	°C	°F	°C	°F	
Pt 100 (α = 0.00385)	IEC 751	-200 to 850	-328 to 1562	10	18	± 0.15	± 0.27	± 0.03% of span
Pt 200 (α = 0.00385)	IEC 751	-200 to 850	-328 to 1562	10	18	± 0.15	± 0.27	± 0.03% of span
Pt 500 (α = 0.00385)	IEC 751	-200 to 850	-328 to 1562	10	18	± 0.19	± 0.34	± 0.03% of span
Pt 1000 (α = 0.00385)	IEC 751	-200 to 300	-328 to 572	10	18	± 0.19	± 0.34	± 0.03% of span
Pt 100 (α = 0.003916)	JIS 1604	-200 to 645	-328 to 1193	10	18	± 0.15	± 0.27	± 0.03% of span
Pt 200 (α = 0.003916)	JIS 1604	-200 to 645	-328 to 1193	10	18	± 0.27	± 0.49	± 0.03% of span
Ni 120	Edison Curve No. 7	-70 to 300	-94 to 572	10	18	± 0.15	± 0.27	± 0.03% of span
Cu 10	Edison Copper Winding No. 15	-50 to 250	-58 to 482	10	18	± 1.40	± 2.52	± 0.03% of span
Pt 50 (α=0.00391)	GOST 6651-94	-200 to 550	-328 to 1022	10	18	± 0.30	± 0.54	± 0.03% of span

Table 16: Rosemount 644 Transmitter Accuracy (continued)

Pt 100 ($\alpha=0.00391$)	GOST 6651-94	-200 to 550	-328 to 1022	10	18	± 0.15	± 0.27	$\pm 0.03\%$ of span
Cu 50 ($\alpha=0.00426$)	GOST 6651-94	-50 to 200	-58 to 392	10	18	± 1.34	± 2.41	$\pm 0.03\%$ of span
Cu 50 ($\alpha=0.00428$)	GOST 6651-94	-185 to 200	-301 to 392	10	18	± 1.34	± 2.41	$\pm 0.03\%$ of span
Cu 100 ($\alpha=0.00426$)	GOST 6651-94	-50 to 200	-58 to 392	10	18	± 0.67	± 1.20	$\pm 0.03\%$ of span
Cu 100 ($\alpha=0.00428$)	GOST 6651-94	-185 to 200	-301 to 392	10	18	± 0.67	± 1.20	$\pm 0.03\%$ of span
Thermocouples ⁽⁵⁾								
Type B ⁽⁶⁾	NIST Monograph 175, IEC 584	100 to 1820	212 to 3308	25	45	± 0.77	± 1.39	$\pm 0.03\%$ of span
Type E	NIST Monograph 175, IEC 584	-200 to 1000	-328 to 1832	25	45	± 0.20	± 0.36	$\pm 0.03\%$ of span
Type J	NIST Monograph 175, IEC 584	-180 to 760	-292 to 1400	25	45	± 0.35	± 0.63	$\pm 0.03\%$ of span
Type K ⁽⁷⁾	NIST Monograph 175, IEC 584	-180 to 1372	-292 to 2501	25	45	± 0.50	± 0.90	$\pm 0.03\%$ of span
Type N	NIST Monograph 175, IEC 584	-200 to 1300	-328 to 2372	25	45	± 0.50	± 0.90	$\pm 0.03\%$ of span
Type R	NIST Monograph 175, IEC 584	0 to 1768	32 to 3214	25	45	± 0.75	± 1.35	$\pm 0.03\%$ of span
Type S	NIST Monograph 175, IEC 584	0 to 1768	32 to 3214	25	45	± 0.70	± 1.26	$\pm 0.03\%$ of span
Type T	NIST Monograph 175, IEC 584	-200 to 400	-328 to 752	25	45	± 0.35	± 0.63	$\pm 0.03\%$ of span
Type L	DIN 43710	-200 to 900	-328 to 1652	25	45	± 0.35	± 0.63	$\pm 0.03\%$ of span
Type U	DIN 43710	-200 to 600	-328 to 1112	25	45	± 0.35	± 0.63	$\pm 0.03\%$ of span
Type C	W5Re/W26Re ASTM E 988-96	0 to 2000	32 to 3632	25	45	± 0.70	± 1.26	$\pm 0.03\%$ of span
Type L	GOST R 8.585-2001	-200 to 800	-392 to 1472	25	45	± 0.25	± 0.45	$\pm 0.03\%$ of span
Other input types								
Millivolt input		-10 to 100 mV		3 mV		± 0.015 mV		$\pm 0.03\%$ of span

Table 16: Rosemount 644 Transmitter Accuracy (continued)

2-, 3-, 4-wire Ohm input	0 to 2000 ohms	20 ohm	± 0.45 ohm	± 0.03% of span
--------------------------	----------------	--------	------------	-----------------

- (1) No minimum or maximum span restrictions within the input ranges. Recommended minimum span will hold noise within accuracy specification with damping at zero seconds.
- (2) Digital accuracy: Digital output can be accessed by the Field Communicator.
- (3) Total analog accuracy is the sum of digital and D/A accuracies.
- (4) Applies to HART/4–20 mA devices.
- (5) Total digital accuracy for thermocouple measurement: sum of digital accuracy +0.25 °C (0.45 °F) (cold junction accuracy).
- (6) Digital accuracy for NIST Type B is ±3.0 °C (±5.4 °F) from 100 to 300 °C (212 to 572 °F).
- (7) Digital accuracy for NIST Type K is ±0.7 °C (±1.3 °F) from –180 to –90 °C (–292 to –130 °F).

Accuracy example (HART devices)

When using a Pt 100 (α = 0.00385) sensor input with 0 to 100 °C span:

- Digital accuracy = ± 0.15 °C
- D/A accuracy = ± 0.15 °C of 100 °C or ± 0.15 °C
- Total accuracy = ± 0.18 °C

Accuracy example (FOUNDATION Fieldbus and PROFIBUS PA devices)

When using a Pt 100 (α = 0.00385) sensor input:

- Total accuracy = ±0.15 °C
- No D/A accuracy effects apply.

Table 17: Ambient Temperature Effect

Sensor options	Sensor reference	Input range (°C)	Temperature effects per 1.0 °C (1.8 °F) change in ambient temperature ⁽¹⁾⁽²⁾⁽³⁾	Range	D/A effect ⁽⁴⁾
2-, 3-, 4-wire RTDs					
Pt 100 (α = 0.00385)	IEC 751	–200 to 850	0.003 °C (0.0054 °F)	Entire sensor input range	0.001% of span
Pt 200 (α = 0.00385)	IEC 751	–200 to 850	0.004 °C (0.0072 °F)	Entire sensor input range	0.001% of span
Pt 500 (α = 0.00385)	IEC 751	–200 to 850	0.003 °C (0.0054 °F)	Entire sensor input range	0.001% of span
Pt 1000 (α = 0.00385)	IEC 751	–200 to 300	0.003 °C (0.0054 °F)	Entire sensor input range	0.001% of span
Pt 100 (α = 0.003916)	JIS 1604	–200 to 645	0.003 °C (0.0054 °F)	Entire sensor input range	0.001% of span

Table 17: Ambient Temperature Effect (continued)

Sensor options	Sensor reference	Input range (°C)	Temperature effects per 1.0 °C (1.8 °F) change in ambient temperature ⁽¹⁾⁽²⁾⁽³⁾	Range	D/A effect ⁽⁴⁾
Pt 200 ($\alpha = 0.003916$)	JIS 1604	-200 to 645	0.004 °C (0.0072 °F)	Entire sensor input range	0.001% of span
Ni 120	Edison Curve No. 7	-70 to 300	0.003 °C (0.0054 °F)	Entire sensor input range	0.001% of span
Cu 10	Edison Copper Winding No. 15	-50 to 250	0.03 °C (0.054 °F)	Entire sensor input range	0.001% of span
Pt 50 ($\alpha = 0.00391$)	GOST 6651-94	-200 to 550	0.004 °C (0.0072 °F)	Entire sensor input range	0.001% of span
Pt 100 ($\alpha = 0.00391$)	GOST 6651-94	-200 to 550	0.002 °C (0.0036 °F)	Entire sensor input range	0.001% of span
Cu 50 ($\alpha = 0.00426$)	GOST 6651-94	-50 to 200	0.008 °C (0.0144 °F)	Entire sensor input range	0.001% of span
Cu 50 ($\alpha = 0.00428$)	GOST 6651-94	-185 to 200	0.008 °C (0.0144 °F)	Entire sensor input range	0.001% of span
Cu 100 ($\alpha = 0.00426$)	GOST 6651-94	-50 to 200	0.004 °C (0.0072 °F)	Entire sensor input range	0.001% of span
Cu 100 ($\alpha = 0.00428$)	GOST 6651-94	-185 to 200	0.004 °C (0.0072 °F)	Entire sensor input range	0.001% of span
Thermocouples					
Type B	NIST Monograph 175, IEC 584	100 to 1820	0.014 °C	$T \geq 1000 \text{ °C}$	0.001% of span
			0.032 °C – (0.0025% of (T – 300))	$300 \text{ °C} \leq T < 1000 \text{ °C}$	0.001% of span
			0.054 °C – (0.011% of (T – 100))	$100 \text{ °C} \leq T < 300 \text{ °C}$	0.001% of span
Type E	NIST Monograph 175, IEC 584	-200 to 1000	0.005 °C + (0.00043% of T)	All	0.001% of span

Table 17: Ambient Temperature Effect (continued)

Sensor options	Sensor reference	Input range (°C)	Temperature effects per 1.0 °C (1.8 °F) change in ambient temperature ⁽¹⁾⁽²⁾⁽³⁾	Range	D/A effect ⁽⁴⁾
Type J	NIST Monograph 175, IEC 584	-180 to 760	0.0054 °C + (0.00029% of T)	T ≥ 0 °C	0.001% of span
			0.0054 °C + (0.0025% of absolute value T)	T < 0 °C	0.001% of span
Type K	NIST Monograph 175, IEC 584	-180 to 1372	0.0061 °C + (0.00054% of T)	T ≥ 0 °C	0.001% of span
			0.0061 °C + (0.0025% of absolute value T)	T < 0 °C	0.001% of span
Type N	NIST Monograph 175, IEC 584	-200 to 1300	0.0068 °C + (0.00036% of T)	All	0.001% of span
Type R	NIST Monograph 175, IEC 584	0 to 1768	0.016 °C	T ≥ 200 °C	0.001% of span
			0.023 °C – (0.0036% of T)	T < 200 °C	0.001% of span
Type S	NIST Monograph 175, IEC 584	0 to 1768	0.016 °C	T ≥ 200 °C	0.001% of span
			0.023 °C – (0.0036% of T)	T < 200 °C	0.001% of span
Type T	NIST Monograph 175, IEC 584	-200 to 400	0.0064 °C	T ≥ 0 °C	0.001% of span
			0.0064 °C + (0.0043% of absolute value T)	T < 0 °C	0.001% of span
DIN Type L	DIN 43710	-200 to 900	0.0054 °C + (0.00029% of T)	T ≥ 0 °C	0.001% of span
			0.0054 °C + (0.0025% of absolute value T)	T < 0 °C	0.001% of span
DIN Type U	DIN 43710	-200 to 600	0.0064 °C	T ≥ 0 °C	0.001% of span
			0.0064 °C + (0.0043% of absolute value T)	T < 0 °C	0.001% of span
Type W5Re/W26Re	ASTM E 988-96	0 to 2000	0.016 °C	T ≥ 200 °C	0.001% of span
			0.023 °C – (0.0036% of T)	T < 200 °C	0.001% of span
GOST Type L	GOST R 8.585-2001	-200 to 800	0.007 °C	T ≥ 0 °C	0.001% of span
			0.007 °C + (0.003% of absolute value T)	T < 0 °C	0.001% of span
Other input types					
Millivolt input		-10 to 100 mV	0.0005 mV	Entire sensor input range	0.001% of span
2-, 3-, 4-wire Ohm		0 to 2000 Ω	0.0084 Ω	Entire sensor input range	0.001% of span

(1) Change in ambient is with reference to the calibration temperature of the transmitter 68 °F (20 °C) from factory.

(2) Ambient temperature effect specification valid over minimum temperature span of 50 °F (28 °C).

(3) Ambient temperature effects are tripled for temperature below -40 °C.

(4) Does not apply to FOUNDATION Fieldbus.

Temperature effects example (HART devices)

When using a Pt 100 ($\alpha = 0.00385$) sensor input with a 0–100 °C span at 30 °C ambient temperature:

- Digital temperature effects: $0.003\text{ °C} \times (30 - 20) = 0.03\text{ °C}$
- D/A effects: $[0.001\% \text{ of } 100] \times (30 - 20) = 0.01\text{ °C}$
- Worst case error: Digital + D/A + Digital Temperature Effects + D/A Effects = $0.15\text{ °C} + 0.03\text{ °C} + 0.03\text{ °C} + 0.01\text{ °C} = 0.22\text{ °C}$
- Total probable error: $\sqrt{0.15^2 + 0.03^2 + 0.03^2 + 0.01^2} = 0.16\text{ °C}$

Temperature effects examples (FOUNDATION Fieldbus devices and PROFIBUS PA)

When using a Pt 100 ($\alpha = 0.00385$) sensor input at 30 °C span at 30 °C ambient temperature:

- Digital temperature effects: $0.003\text{ °C} \times (30 - 20) = 0.03\text{ °C}$
- D/A effects: No D/A effects apply.
- Worst case error: Digital + Digital temperature effects = $0.15\text{ °C} + 0.03\text{ °C} = 0.18\text{ °C}$
- Total probable error: $\sqrt{0.15^2 + 0.03^2} = 0.153\text{ °C}$

Table 18: Transmitter Accuracy when Ordered with Option Code P8

Sensor options	Sensor reference	Input ranges		Minimum span ⁽¹⁾		Digital accuracy ⁽²⁾		D/A accuracy ⁽³⁾⁽⁴⁾
		°C	°F	°C	°F	°C	°F	
2-, 3-, 4-wire RTDs								
Pt 100 ($\alpha = 0.00385$)	IEC 751	-200 to 850	-328 to 1562	10	18	± 0.10	± 0.18	±0.02% of span

(1) No minimum or maximum span restrictions within the input ranges. Recommended minimum span will hold noise within accuracy specification with damping at zero seconds.
 (2) Digital accuracy: Digital output can be accessed by the Field Communicator.
 (3) Total analog accuracy is the sum of digital and D/A accuracies.
 (4) Applies to HART/4–20 mA devices.

Reference accuracy example (HART only)

When using a Pt 100 ($\alpha = 0.00385$) sensor input with a 0 to 100 °C span: Digital Accuracy would be $\pm 0.10\text{ °C}$, D/A accuracy would be $\pm 0.02\%$ of 100 °C or $\pm 0.02\text{ °C}$, Total = $\pm 0.12\text{ °C}$.

Differential capability exists between any two sensor types (dual-sensor option)

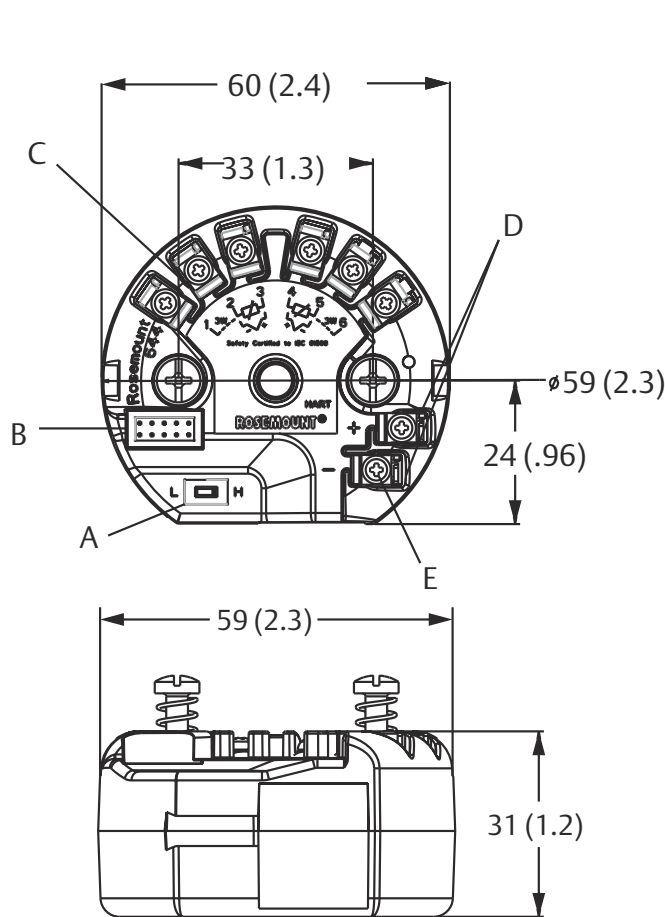
For all differential configurations, the input range is X to Y where:

- X = Sensor 1 minimum – Sensor 2 maximum and
- Y = Sensor 1 maximum – Sensor 2 minimum

Dimensional drawings

Figure 3: Rosemount 644H (DIN A Head Mount)

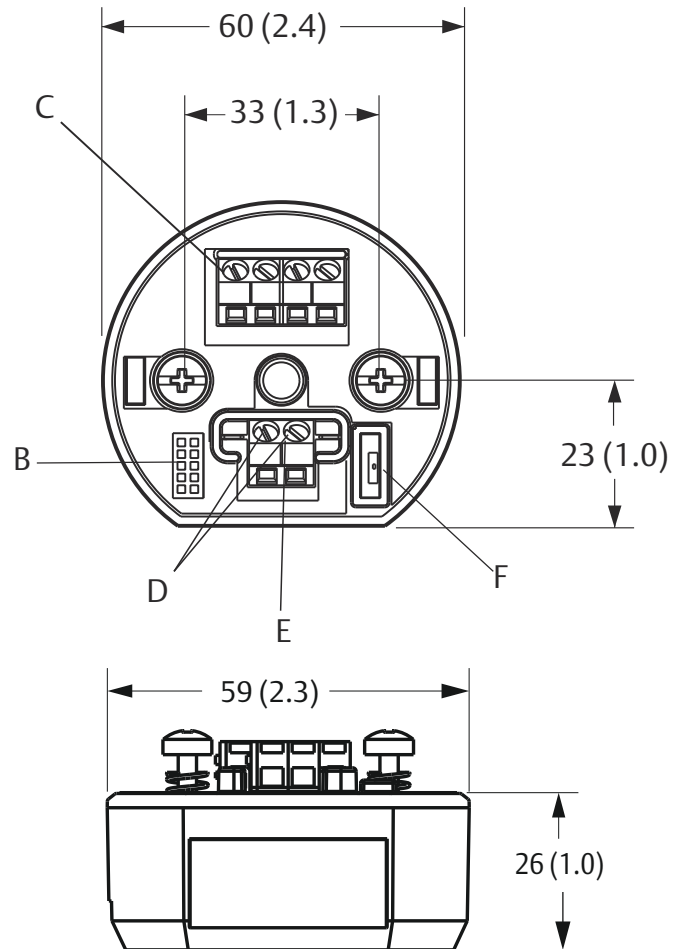
HART device shown with captivated screw terminals



- A. Failure mode switch
- B. Meter connector
- C. Sensor terminals

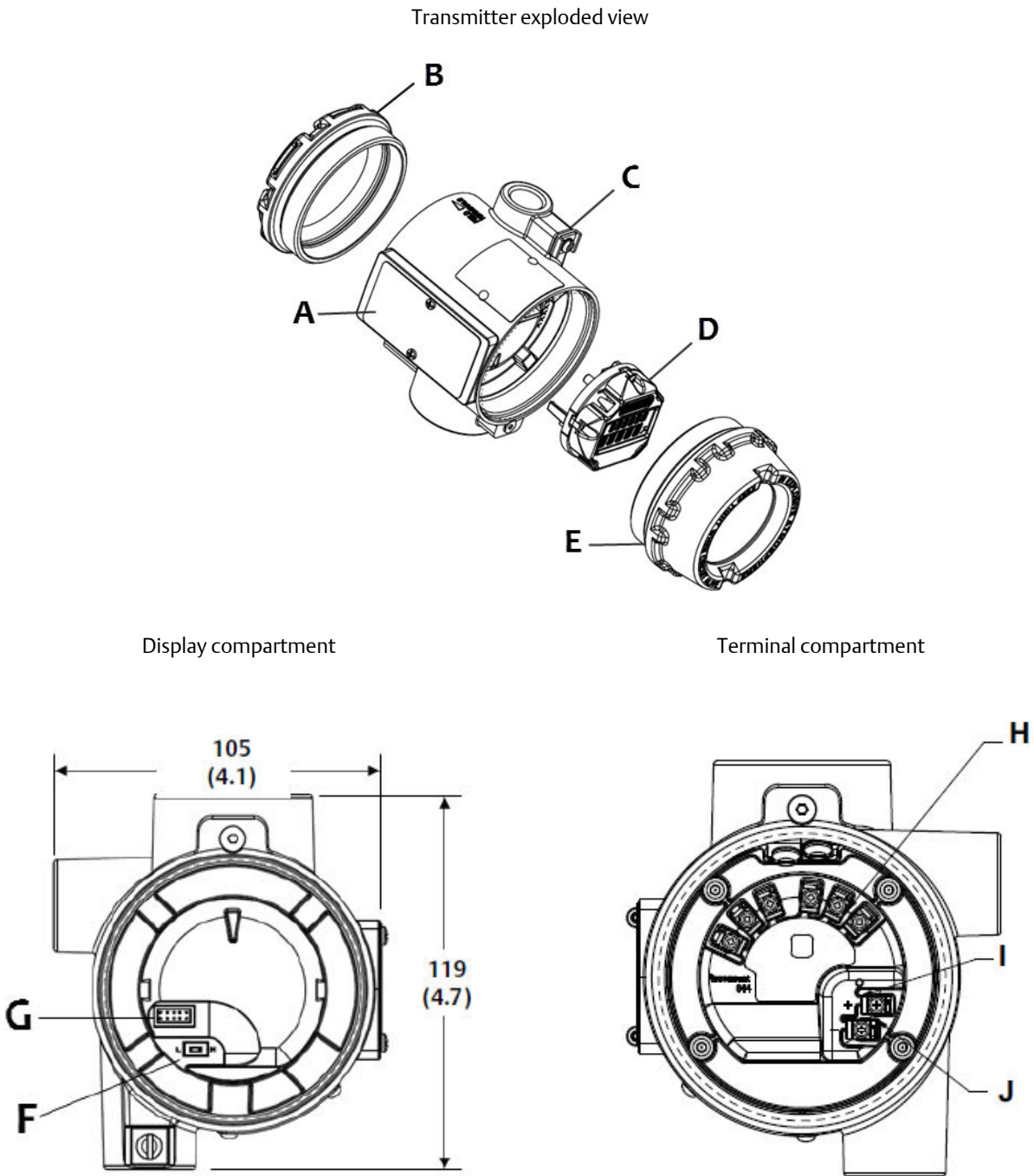
Dimensions are in millimeters (inches).

FOUNDATION Fieldbus and PROFIBUS device shown with standard compression screw terminals



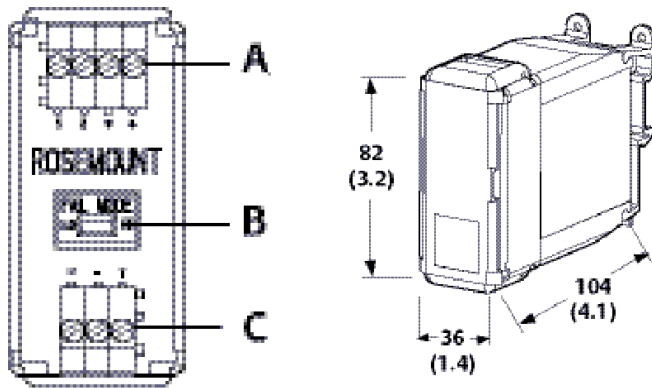
- D. Communication terminals
- E. Power terminals
- F. Simulation switch

Figure 4: Rosemount 644 Field Mount



- A. Nameplate
 - B. Cover
 - C. Housing with electronics module
 - D. LCD display
 - E. Display cover
 - F. Failure mode switch
 - G. Meter connector
 - H. Sensor terminals
 - I. Communication terminals
 - J. Power terminals
- Dimensions are in millimeters (inches).

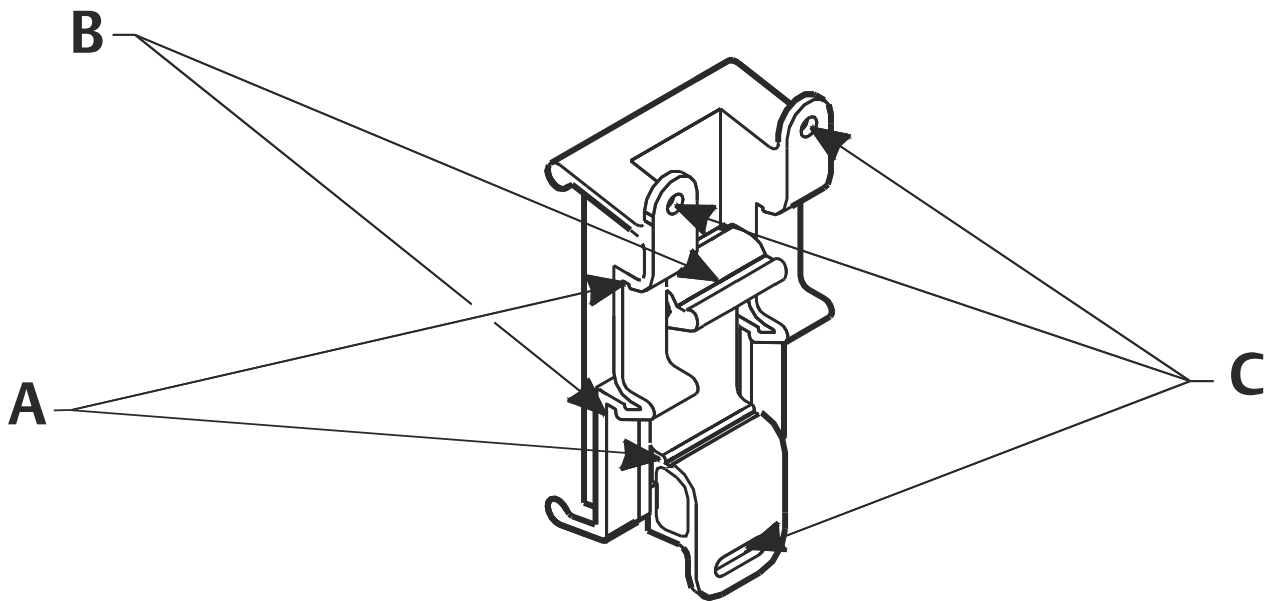
Figure 5: Rosemount 644 Rail Mount



- A. Sensor terminals
- B. Failure mode switch
- C. Power terminals

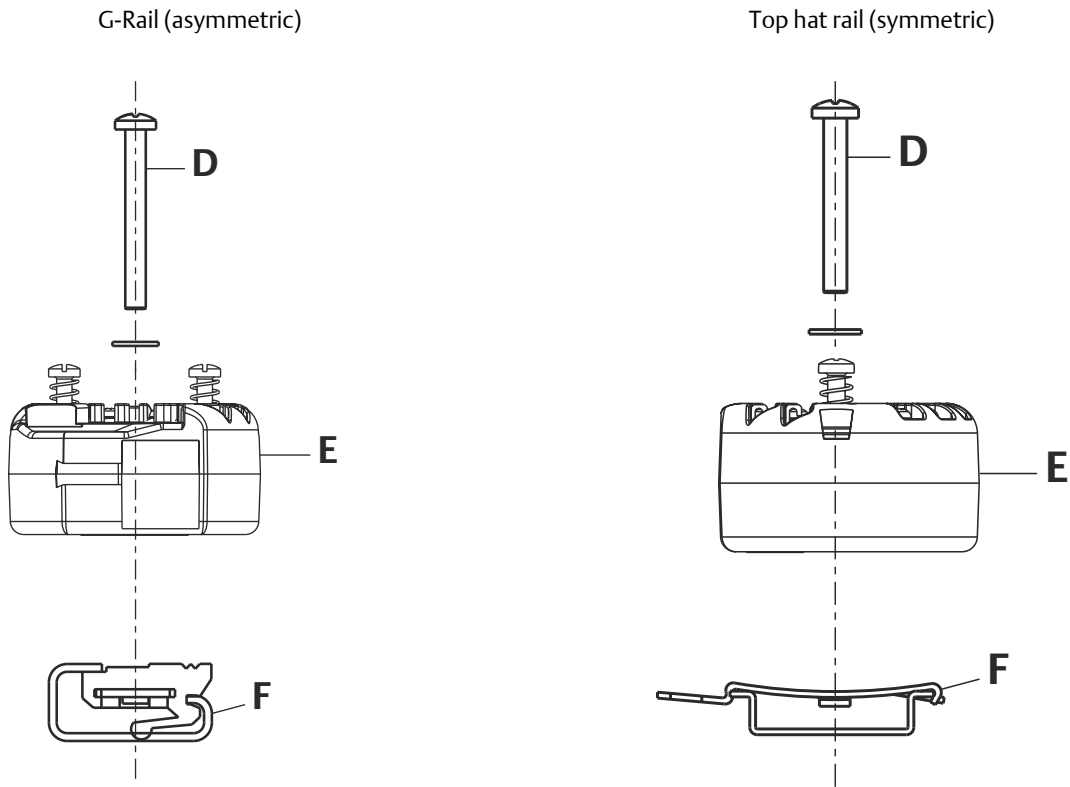
Dimensions are in millimeters (inches).

Figure 6: Mounting kits for Rosemount 644H



- A. Top hat rail grooves
- B. G-rail grooves
- C. Screw holes for mounting to a wall

Figure 7: Rosemount 644H Rail Clips



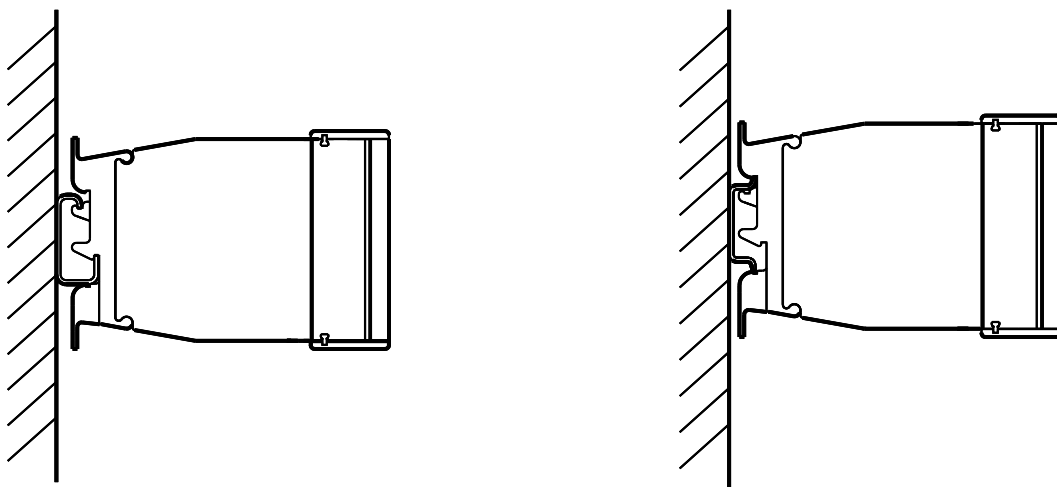
D. Mounting hardware

E. Transmitter

F. Rail clip

Note

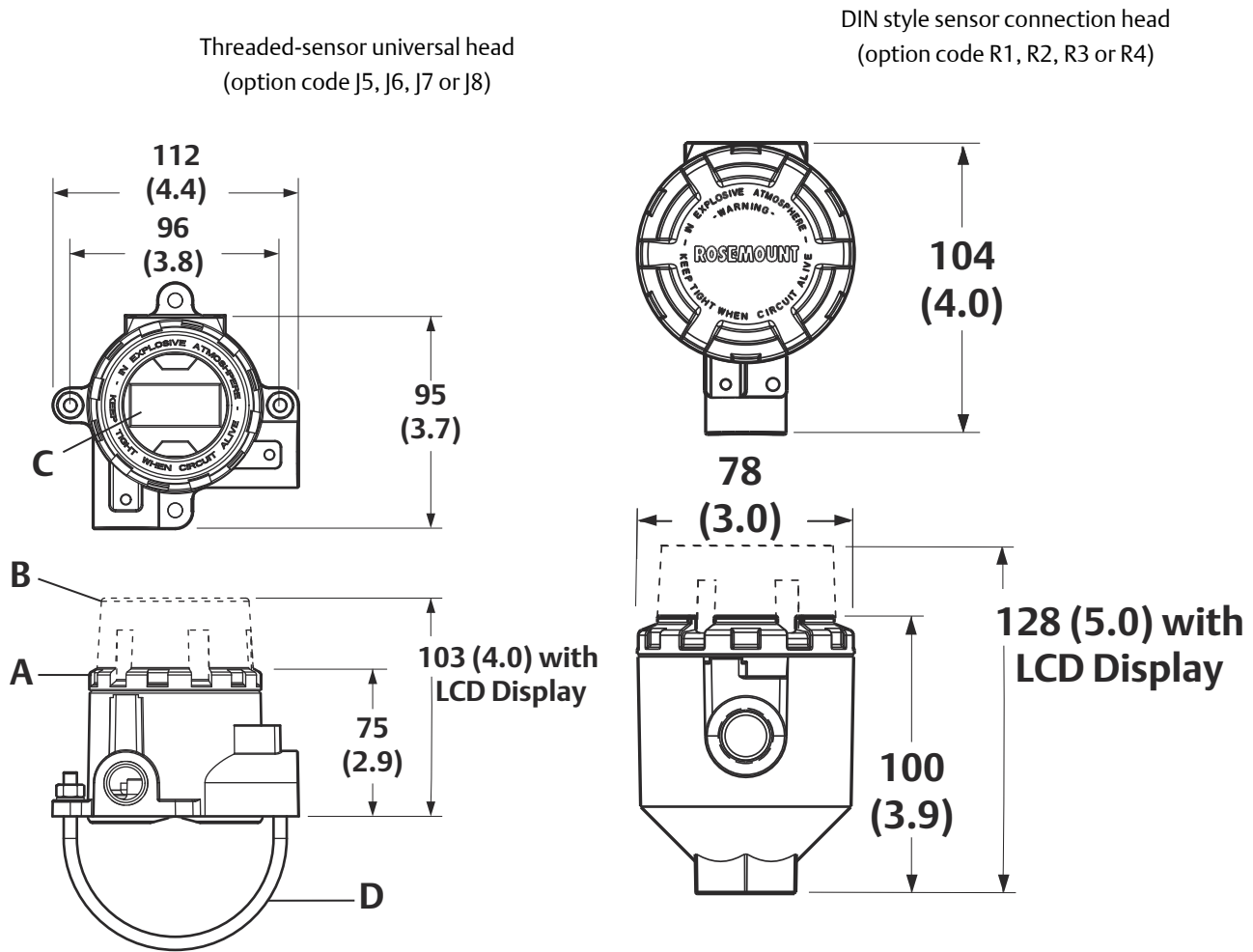
Kit (part number 00644-5301-0010) includes mounting hardware and both types of rail kits.



Note

Part number 03044-4103-0001.

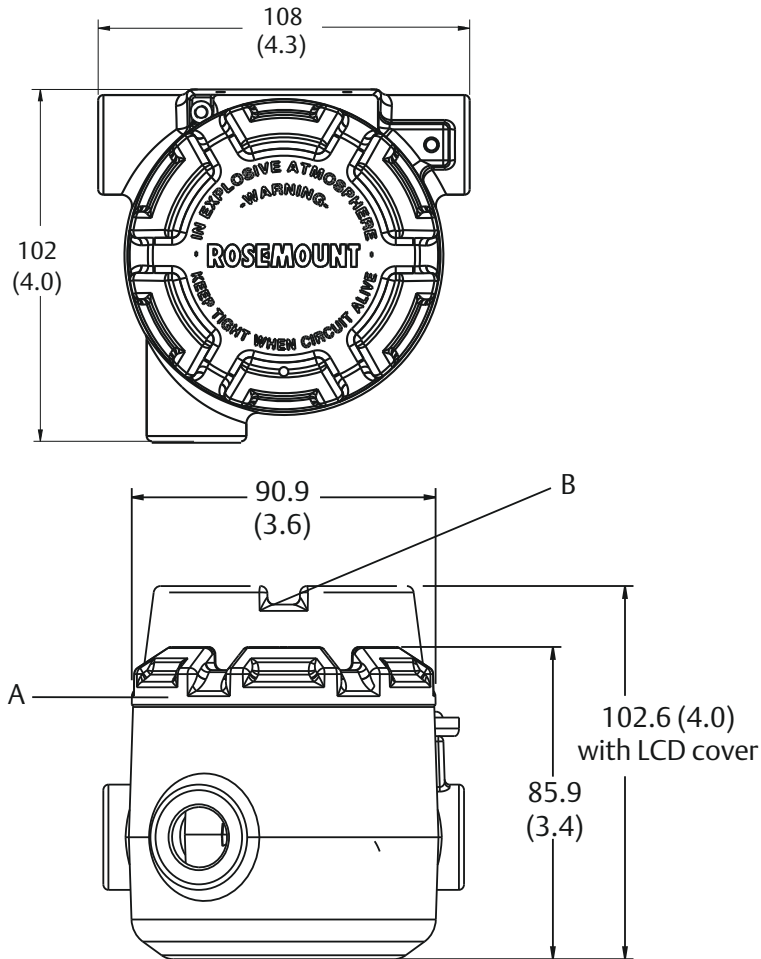
Figure 8: Threaded-Sensor Universal Head and DIN Style Sensor Connection Head



- A. Standard cover
- B. Display cover
- C. LCD display
- D. SST "U" Bolt Mounting, 2-in. pipe (shipped with each connection head ordered with assembly option XA)

Dimensions are in millimeters (inches).

Figure 9: Threaded Sensor Universal Head, 3-conduit (Option code J1 or J2)



A. Standard cover

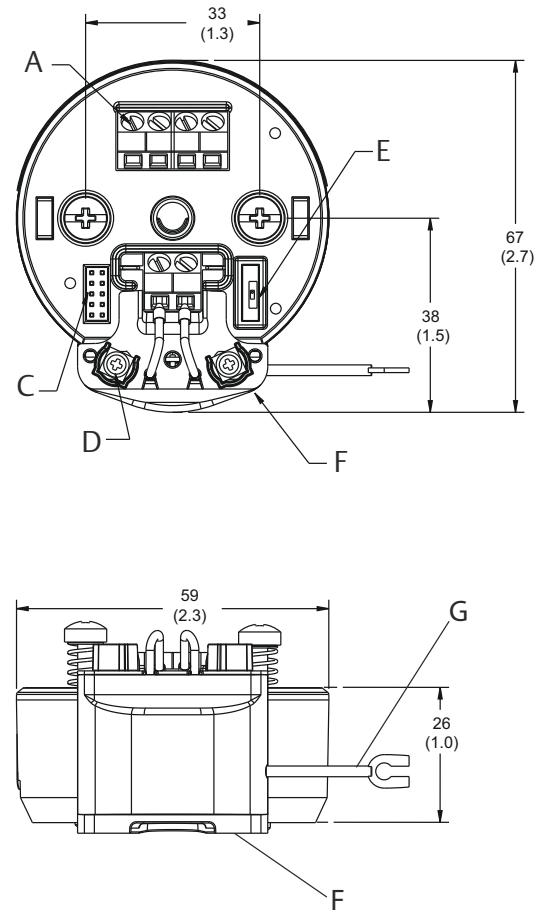
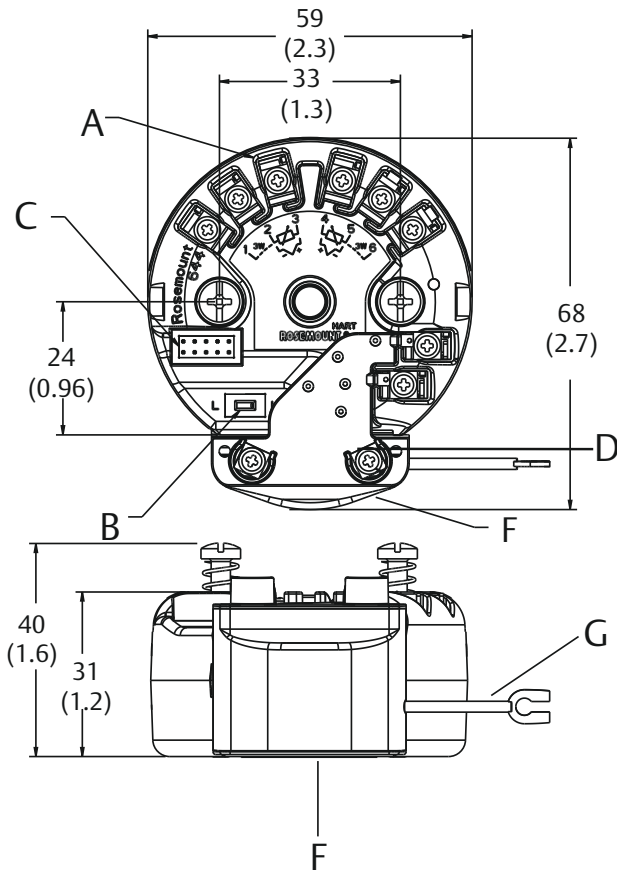
B. Display cover

Dimensions are in millimeters (inches).

Figure 10: Device shown with Transient Protector

HART device shown with transient protector (Option code T1)

FOUNDATION Fieldbus device shown with transient protector (Option code T1)



- A. Sensor terminals
- B. Failure mode switch
- C. Meter connector
- D. Power terminals
- E. Simulation switch
- F. Transient protector
- G. Ground wire

Dimensions are in millimeters (inches).

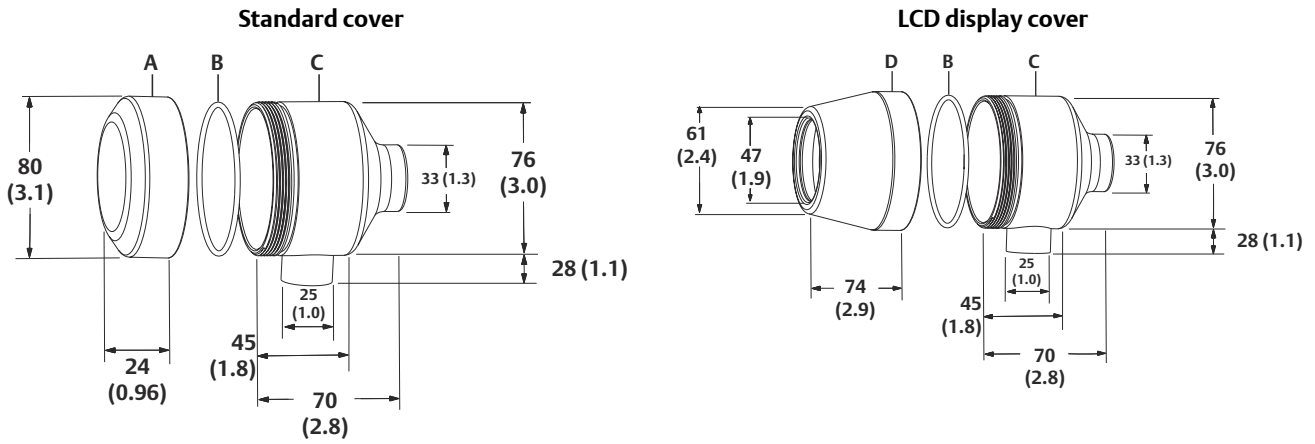
Note

Option code T1 requires the use of J1, J2, J3 or J4 enclosure option.

Accessory dimensional drawings

Figure 11: Stainless Steel Housing for Biotechnology, Pharmaceutical Industries, and Sanitary Applications

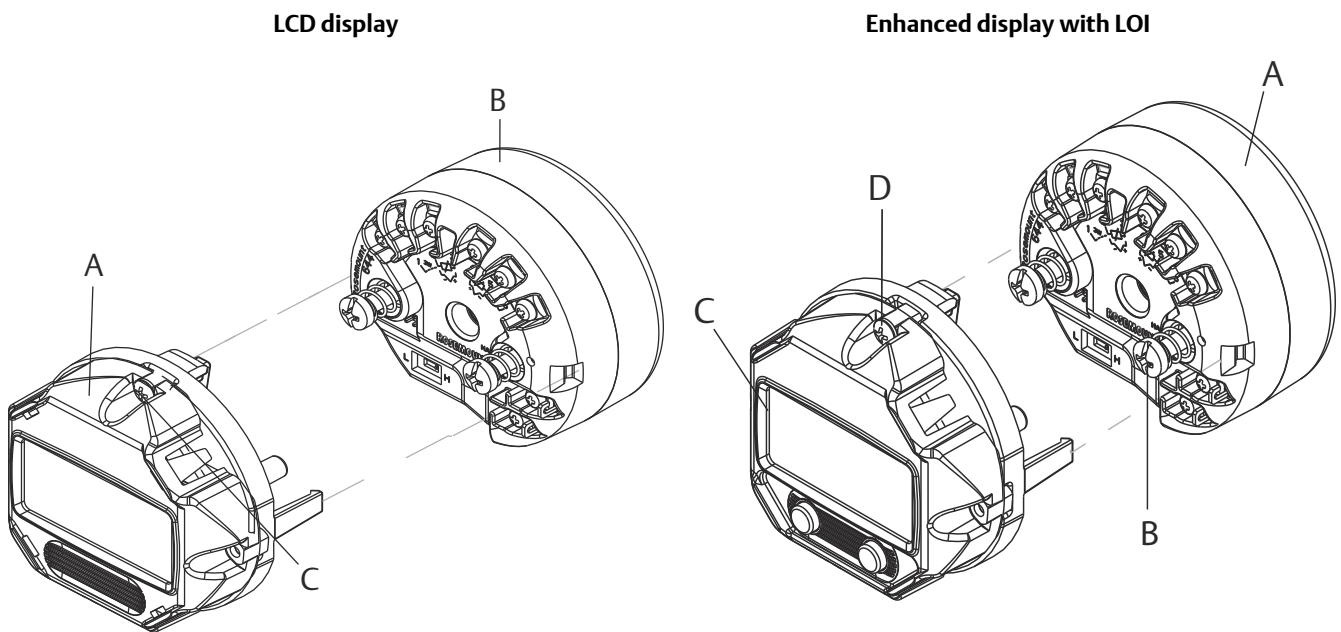
Sanitary housing (option code S1, S2, S3, S4)



- A. Standard cover
- B. O-ring
- C. Housing
- D. LCD display cover

Dimensions are in millimeters (inches).

Figure 12: Display



- A. LCD display
- B. Rosemount 644 Transmitter
- C. Display rotation

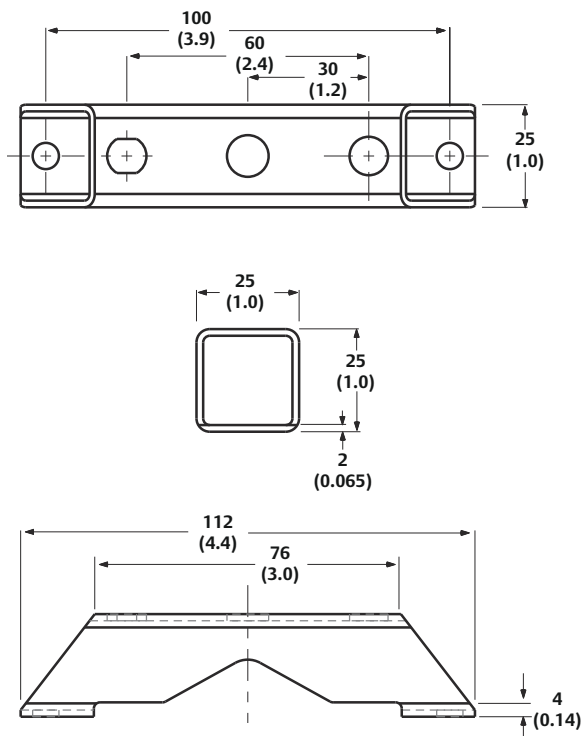
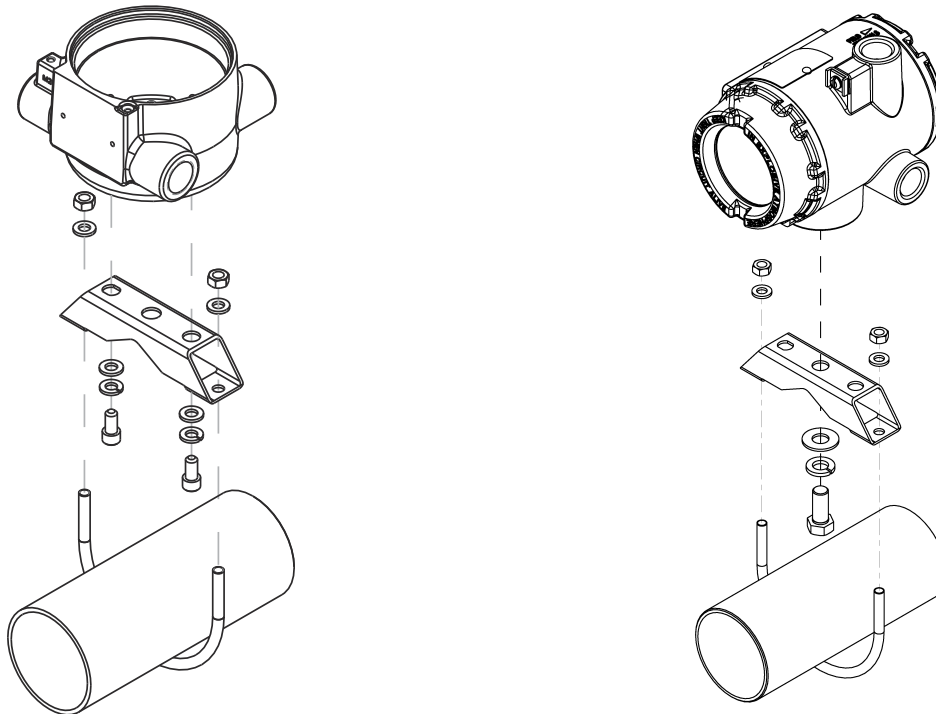
- D. LCD display with LOI
- E. Display rotation screws

Dimensions are in millimeters (inches).

Figure 13: Optional Mounting

Option Code B4 Bracket for enclosures J1, J2, J3, and J4

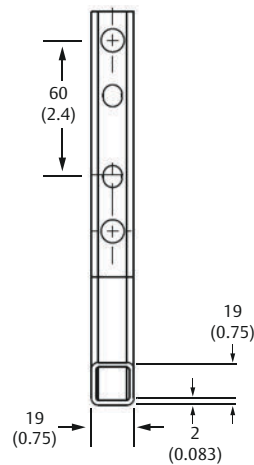
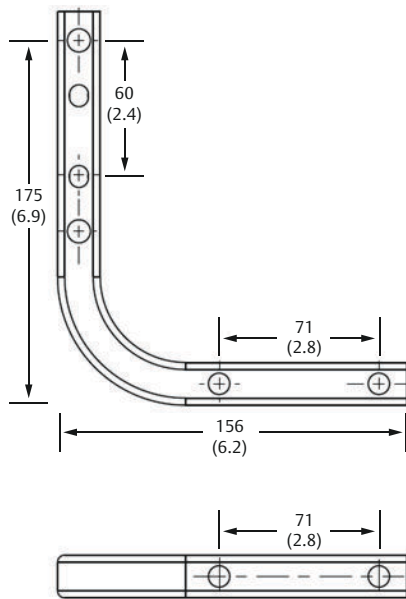
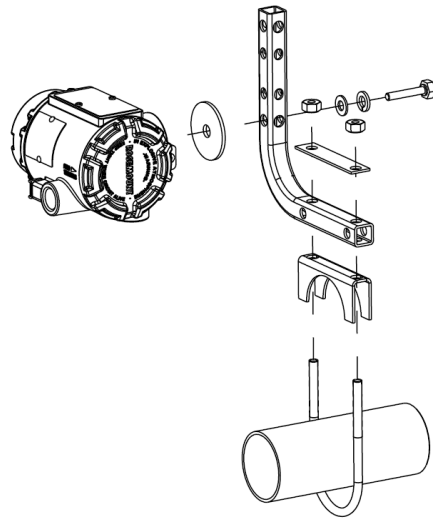
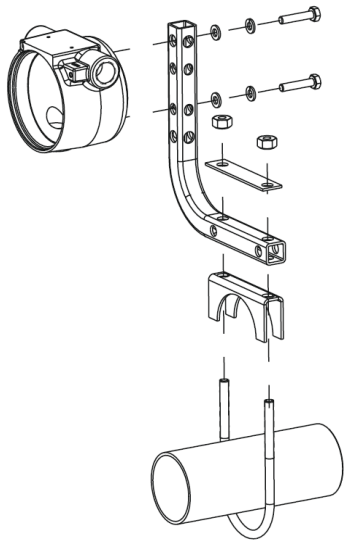
Option code B4 bracket for enclosures D1 and D2



Dimensions are in millimeters (inches).

Option Code B5 Bracket for enclosures J1, J2, J3, and J4

Option code B5 bracket for enclosures D1 and D2



Dimensions are in millimeters (inches).

Configuration

Transmitter configuration

The transmitter is available with standard configuration setting for either HART®, FOUNDATION™ Fieldbus or PROFIBUS® PA. The configuration settings and block configuration may be changed in the field with Emerson DeltaV™, AMS Suite, Field Communicator or other host or configuration tool.

Table 19: Standard HART configuration

Unless specified, the transmitter will be shipped as follows:

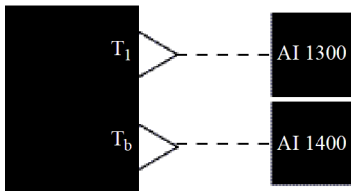
Sensor type	RTD, Pt 100 ($\alpha=0.00385$, 4-wire)
4 mA value	0 °C
20 mA value	100 °C
Output	Linear with temperature
Saturation levels	3.9/20.5 mA
Damping	5 seconds
Line voltage filter	50 Hz
Alarm	High (21.75 mA)
LCD display (when installed)	Engineering units and mA
Tag	See Tagging .

Table 20: Standard FOUNDATION Fieldbus configuration

Unless otherwise specified, the transmitter will be shipped as follows:

Sensor type: RTD, Pt 100 ($\alpha=0.00385$, 4-wire)
Damping: 5 seconds
Units of measurement: °C
Line voltage filter: 50 Hz
Software tag: See Tagging
Function block tags: <ul style="list-style-type: none"> ■ Resource block: Resource ■ Transducer block: Transducer ■ LCD display block: LCD display ■ Analog input blocks: AI 1300, AI 1400
PID block: PID 1500
Alarm limits of AI 1300, AI 1400 <ul style="list-style-type: none"> ■ HI-HI: Infinity ■ HI: Infinity ■ LO: Infinity ■ LO-LO: Infinity
Local display (when installed): Engineering units of temperature

Figure 14: Standard Block Configuration



- T₁= sensor temperature
- T_b= terminal temperature

Final stations

AI blocks are scheduled for one second. AI blocks are linked as shown in [Figure 9](#).

Table 21: Standard PROFIBUS PA configuration

Unless specified, the transmitter will be shipped as follows:

Device address: 126
Sensor Type: RTD, Pt 100 ($\alpha=0.00385$, 4-wire)
Damping: 5 seconds
Units of measurement: °C
Line voltage filter: 50 Hz
Software tag: see Tagging .
Alarm limits: <ul style="list-style-type: none"> ■ HI-HI: Infinity ■ HI: Infinity ■ LO: - Infinity ■ LO-LO: Infinity
Local display (when installed): Engineering units of temperature

Custom configuration

Custom configurations are to be specified when ordering. This configuration must be the same for all sensors. The table lists the necessary requirements to specify a custom configuration:

Table 22: HART Protocol

Option code	Customization available
C1: Factory Configuration Data (CDS required)	<ul style="list-style-type: none"> ■ Date: day/month/year ■ Descriptor: 8 alphanumeric characters ■ Message: 32 alphanumeric characters ■ Hardware tag: 18 characters ■ Software tag: 8 characters ■ Sensor type and connection ■ Measurement range and units ■ Damping value ■ Failure mode: High or Low ■ Hot Backup: Mode and PV ■ Sensor drift alert: Mode, limit and units
...M4 or M5	<ul style="list-style-type: none"> ■ Display configuration: Select what will be shown on the LCD display.
...DC, A1, CN, or C8	<ul style="list-style-type: none"> ■ Custom alarm and saturation levels: Choose custom High and Low alarm and saturation levels.
...DC	<ul style="list-style-type: none"> ■ Security information: Write protection, HART Lock and LOI password
C2: Transmitter – sensor matching	<ul style="list-style-type: none"> ■ The transmitters are designed to accept Callendar-Van Dusen constants from a calibrated RTD. Using these constants, the transmitter generates a custom curve to match the sensor-specific curve. Specify a Rosemount RTD sensor model on the order with a special characterization curve (V or X8Q4 option). These constants will be programmed into the transmitter with this option.
A1, CN, or C8: Alarm level configuration	<ul style="list-style-type: none"> ■ A1: NAMUR Alarm and saturation levels, with high alarm configured ■ CN: NAMUR Alarm and saturation levels, with low alarm configured ■ C8: Low alarm (standard Rosemount alarm and saturation values)
Q4: Three-point calibration with certificate	<ul style="list-style-type: none"> ■ Calibration certificate. Three-point calibration at 0, 50, and 100% with certificate.
C4: Five-point calibration	<ul style="list-style-type: none"> ■ Will include five-point calibration at 0, 25, 50, 75, and 100% analog and digital output points. Use with Calibration Certificate Q4.

Table 22: HART Protocol (continued)

Option code	Customization available
HR7: HART Revision configuration	<ul style="list-style-type: none"> ■ Your Rosemount 644 head mount and field mount are HART revision selectable. Order the HR7 code to configure your device to operate in HART Revision 7 mode. Your device is also configurable in the field. Refer to the Rosemount 644 Quick Start Guide or Reference Manual for more instructions. ■ Long software tag: 32 characters

Table 23: FOUNDATION Fieldbus Protocol

Option code	Requirements/specification
C1: Factory configuration data (CDS required)	Date: day/month/year Descriptor: 16 alphanumeric characters Message: 32 alphanumeric characters
C2: Transmitter – sensor matching	The transmitters are designed to accept Callendar-Van Dusen constants from a calibrated RTD. Using these constants, the transmitter generates a custom curve to match the sensor-specific curve. Specify a Series 65, 65, or 78 RTD sensor on the order with a special characterization curve (V or X8Q4 option). These constants will be programmed into the transmitter with this option.
C4: Five-point calibration	Will include five-point calibration at 0, 25, 50, 75, and 100% analog and digital output points. Use with Calibration Certificate Q4.
Q4: Three-point calibration with certificate	Calibration certificate. Three-point calibration with certificate.

Table 24: PROFIBUS PA

Option code	Requirements/specification
C1: Factory Configuration Data (CDS required)	Date: day/month/year Descriptor: 16 alphanumeric characters Message: 32 alphanumeric characters
C2: Transmitter – Sensor Matching	The transmitters are designed to accept Callendar-Van Dusen constants from a calibrated RTD. Using these constants, the transmitter generates a custom curve to match the sensor-specific curve. Specify a Series 65, or 78 RTD sensor on the order with a special characterization curve (V or X8Q4 option). These constants will be programmed into the transmitter with this option.
C4: Five-point calibration	Will include five-point calibration at 0, 25, 50, 75, and 100% analog and digital output points. Use with Calibration Certificate Q4.
Q4: Three-point calibration with certificate	Calibration certificate. Three-point calibration with certificate.

Specifications and reference data for Rosemount 644 HART (Device Revision 7 or Previous)

Functional specifications

Inputs

User-selectable; sensor terminals rated to 42.4 Vdc. See [Accuracy example \(FOUNDATION Fieldbus and PROFIBUS PA devices\)](#).

Output

Single two-wire device with either 4–20 mA/HART®, linear with temperature or input; or completely digital outputs with FOUNDATION™ Fieldbus communication (ITK 5.01 compliant), or PROFIBUS® PA (compliant with profile 3.02).

Isolation

Input/output isolation tested to 620 Vrms.

Local display options

LCD display An optional 11 digit, two-line integral LCD display operates with a floating or fixed decimal point. It displays engineering units (°F, °C, °R, K, Ohms and mV), mA, and percent of range. The display can be configured to alternate between selected display options. Display settings are pre-configured at the factory according to the standard transmitter configuration. They can be re-configured in the field using either HART, FOUNDATION Fieldbus, or PROFIBUS PA communications.

LCD display with LOI An optional 14-digit, two-line integral LCD display operates with a floating or fixed decimal point. The LOI includes all features and functionality available in the regular display with an added two-button configuration capability directly at the display interface. The LOI also has optional password protection for secure operations. The LOI is only available on the Rosemount 644 HART head mount and field mount transmitters.

For more information on the LOI configuration options or further functionality that the LOI offers, see the Rosemount 644 Temperature Transmitter [Reference Manual](#).

Humidity limits

0–95 percent relative humidity

Update time

≤0.5 second per sensor

Accuracy (default configuration) PT 100

HART standard: ±0.15 °C

HART enhanced: ±0.1 °C

FOUNDATION Fieldbus: ±0.15 °C

PROFIBUS PA: ±0.15 °C

Physical specifications

Material selection

Emerson provides a variety of Rosemount product with various product options and configurations including materials of construction that can be expected to perform well in a wide range of applications. The Rosemount product information presented is intended as a guide for the purchaser to make an appropriate selection for the application. It is the purchaser's sole responsibility to make a careful analysis of all process parameters (such as all chemical components, temperature, pressure, flow rate, abrasives, contaminants, etc.), when specifying product, materials, options and components for the particular application. Emerson is not in a position to evaluate or guarantee the compatibility of the process fluid or other process parameters with the product, options, configuration or materials of construction selected.

Conformance to specifications ($\pm 3\sigma$ [Sigma])

Technology leadership, advanced manufacturing techniques, and statistical process control ensure specification conformance to at least $\pm 3\sigma$.

Table 25: Electrical Connections

Rosemount model	Power and sensor terminals
Head mount (HART®)	Captivated screw terminals permanently fixed to terminal block
Head mount (FOUNDATION™ Fieldbus/PROFIBUS® PA)	Compression screw terminals permanently fixed to the terminal block
Field mount (HART)	Captivated screw terminals permanently fixed to the terminal block
Rail mount (HART)	Compression screw permanently fixed to front panel

Table 26: Field Communicator Connections

Communication terminals	
Rosemount 644 head/field mount	Clips permanently fixed to terminal block
Rosemount 644 rail mount	Clips permanently fixed to front panel

Table 27: Materials of Construction

Electronics housing and terminal block	
Rosemount 644 head/ field mount	GE polyphenylene oxide glass reinforced GFN -2 or -3
Rosemount 644 rail mount	Polycarbonate
Enclosure (Options J1, J2, J5, J6, R1, R2, D1, and D2)	
Housing	Low-copper aluminum
Paint	Polyurethane
Cover O-ring	Buna-N

Materials of construction (stainless steel housing for biotechnology, pharmaceutical industries, and sanitary applications)

Housing and standard meter cover

- 316 SST

Cover O-ring

- Buna-N

Mounting

The Rosemount 644R attaches directly to a wall or a DIN rail. The Rosemount 644H installs in a connection head or universal head mounted directly on a sensor assembly, apart from a sensor assembly using a universal head, or to a DIN rail using an optional mounting clip.

Special mounting considerations

See mounting kits for Rosemount 644H for the special hardware that is available to:

- Mount a Rosemount 644H to a DIN rail (see [Dimensional drawings](#)).
- Retrofit a new Rosemount 644H to replace an existing Rosemount 644H Transmitter in an existing threaded sensor connection head (see [Table 3](#)).

Table 28: Weight

Code	Options	Weight
644H	HART, head mount transmitter	78 g (2.75 oz)
644H	FOUNDATION Fieldbus, head mount transmitter	92 g (3.25 oz)
644H	PROFIBUS PA, head mount transmitter	92 g (3.25 oz)
644R	HART, rail mount transmitter	174 g (6.14 oz)
M5	LCD display	34 g (1.2 oz)
M4	LCD display with local operator interface	34 g (1.2 oz)
J1, J2	Universal head, 3-conduits, standard cover	718 g (25.33 oz)
J1, J2	Universal head, 3-conduits, meter cover	826 g (29.14 oz)
J3, J4	Cast SST universal head, 3-conduits, standard cover	2073 g (73.12 oz)
J3, J4	Cast SST universal head, 3-conduits, meter cover	2148 g (75.77 oz)
J5, J6	Aluminum 2-conduits, universal head, standard cover	520g (18.43 oz)
J5, J6	Aluminum 2-conduits, universal head, meter cover	604 g (21.27 oz)
J7, J8	Cast SST universal head 2-conduits, standard, cover	1673 g (59.0 oz)
J7, J8	Cast SST universal head 2-conduits, meter cover	1835 g (64.73 oz)
R1, R2	Aluminum connection head, standard cover	523 g (18.45 oz)
R1, R2	Aluminum connection head, meter cover	618 g (21.79 oz)
R3, R4	Cast SST connection head, standard cover	1615 g (56.97 oz)
R3, R4	Cast SST connection head, meter cover	1747 g (61.62 oz)
D1, D2	HART, field mount transmitter, aluminum housing, meter cover, standard cover	1128 g (39.79 oz)

Table 29: Weight (stainless steel housing for biotechnology, pharmaceutical industries, and sanitary applications)

Option codes	Standard cover	Meter cover
S1, S2, S3, S4	840 g (27 oz)	995 g (32 oz)

Enclosure ratings (Rosemount 644H/F)

All available enclosures are Type 4X, IP66, and IP68.

Sanitary housing surface

Surface finish is polished to 32 RMA. Laser etched product marking on housing and standard covers.

Performance specifications

Electromagnetic Compatibility (EMC)

Meets all industrial environment requirements of EN61326 and NAMUR NE-21. Maximum deviation <1% span during EMC disturbance.

Note

During surge event, device may exceed maximum EMC deviation limit or reset; however, device will self-recover and return to normal operation within specified start-up time.

Power supply effect

Less than ± 0.005 percent of span per volt

Stability

RTDs and thermocouples have a stability of ± 0.15 percent of output reading or $0.15\text{ }^{\circ}\text{C}$ (whichever is greater) for 24 months.

When ordered with the P8 option code:

- RTDs: ± 0.25 percent of reading or $0.25\text{ }^{\circ}\text{C}$, whichever is greater, for five years
- Thermocouples: ± 0.5 percent of reading or $0.5\text{ }^{\circ}\text{C}$, whichever is greater, for five years

Self calibration

The analog-to-digital measurement circuitry automatically self-calibrates for each temperature update by comparing the dynamic measurement to extremely stable and accurate internal reference elements.

Table 30: Vibration effect

The Rosemount 644 HART® head mount and field mount are tested to the following specifications with no effect on performance per IEC 60770-1, 2010:

Frequency	Vibration
10–60 Hz	0.35 mm displacement
60–1000 Hz	5g (50 m/s^2) peak acceleration

The Rosemount 644 Fieldbus and PROFIBUS are tested to the following specifications with no effect on performance per IEC 60770-1: 1999:


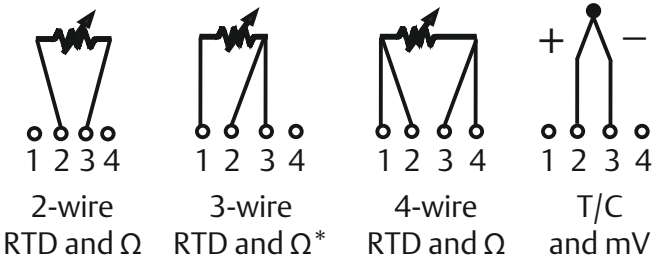

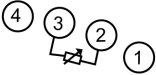
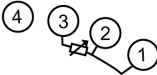
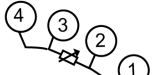




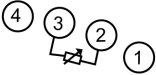
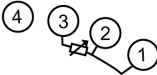
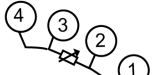




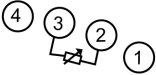
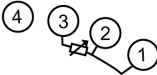
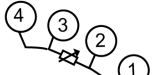




Frequency	Vibration
10–60 Hz	0.21 mm displacement
60–2000 Hz	3 g peak acceleration

Table 31: Rosemount 644 Sensor Connections Diagrams

Emerson provides 4-wire sensors for all single element RTDs. You can use these RTDs in 3-wire configurations by leaving the unneeded leads disconnected and insulated with electrical tape.

HART head mount											
	<table border="1"> <tr> <td data-bbox="818 436 971 499">Single Input Wiring</td> <td data-bbox="984 436 1218 562"> 2-wire RTD and Ω </td> <td data-bbox="1230 436 1471 562"> 3-wire RTD and Ω </td> </tr> <tr> <td data-bbox="984 579 1218 705"> 4-wire RTD and Ω </td> <td data-bbox="1230 579 1471 705"> T/C and mV </td> </tr> <tr> <td data-bbox="818 722 971 785">Dual Input Wiring</td> <td data-bbox="984 722 1218 848"> Dual 2-wire RTD and Ω </td> <td data-bbox="1230 722 1471 848"> Dual 3-wire RTD and Ω </td> </tr> <tr> <td data-bbox="984 865 1218 991"> Dual T/C and mV </td> <td></td> </tr> </table>	Single Input Wiring	2-wire RTD and Ω 	3-wire RTD and Ω 	4-wire RTD and Ω 	T/C and mV 	Dual Input Wiring	Dual 2-wire RTD and Ω 	Dual 3-wire RTD and Ω 	Dual T/C and mV 	
	Single Input Wiring	2-wire RTD and Ω 	3-wire RTD and Ω 								
	4-wire RTD and Ω 	T/C and mV 									
	Dual Input Wiring	Dual 2-wire RTD and Ω 	Dual 3-wire RTD and Ω 								
	Dual T/C and mV 										

Table 31: Rosemount 644 Sensor Connections Diagrams (continued)

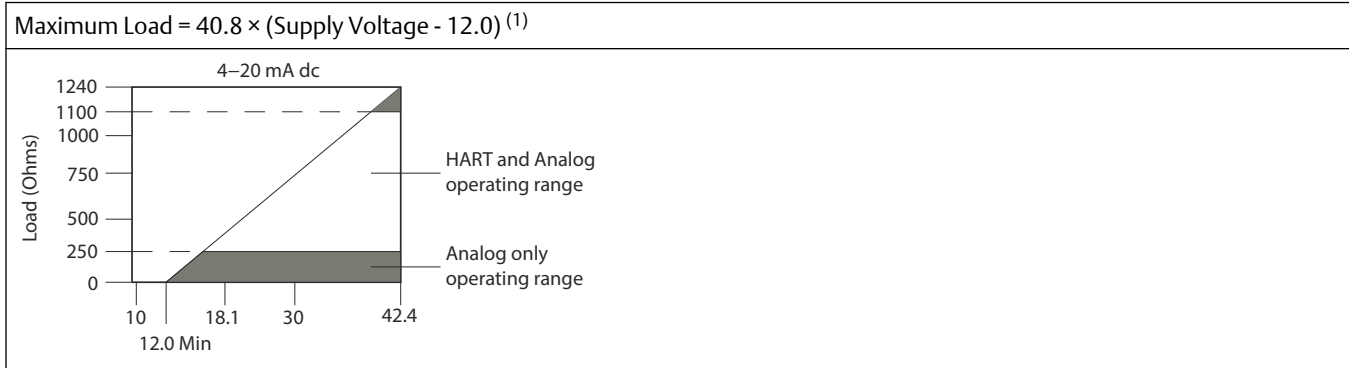
<p>HART rail mount Fieldbus PROFIBUS</p> 	 <p>2-wire RTD and Ω</p> <p>3-wire RTD and Ω^*</p> <p>4-wire RTD and Ω</p> <p>T/C and mV</p>												
<p>HART field mount</p> 	<table border="1"> <tr> <td data-bbox="820 1255 966 1318">Single Input Wiring</td> <td data-bbox="974 1255 1209 1381"> <p>2-wire RTD and Ω</p>  </td> <td data-bbox="1226 1255 1469 1381"> <p>3-wire RTD and Ω</p>  </td> </tr> <tr> <td></td> <td data-bbox="974 1396 1209 1522"> <p>4-wire RTD and Ω</p>  </td> <td data-bbox="1226 1396 1469 1522"> <p>T/C and mV</p>  </td> </tr> <tr> <td data-bbox="820 1549 966 1612">Dual Input Wiring</td> <td data-bbox="974 1549 1209 1675"> <p>Dual 2-wire RTD and Ω</p>  </td> <td data-bbox="1226 1549 1469 1675"> <p>Dual 3-wire RTD and Ω</p>  </td> </tr> <tr> <td></td> <td data-bbox="974 1690 1209 1816"> <p>Dual T/C and mV</p>  </td> <td></td> </tr> </table>	Single Input Wiring	<p>2-wire RTD and Ω</p> 	<p>3-wire RTD and Ω</p> 		<p>4-wire RTD and Ω</p> 	<p>T/C and mV</p> 	Dual Input Wiring	<p>Dual 2-wire RTD and Ω</p> 	<p>Dual 3-wire RTD and Ω</p> 		<p>Dual T/C and mV</p> 	
Single Input Wiring	<p>2-wire RTD and Ω</p> 	<p>3-wire RTD and Ω</p> 											
	<p>4-wire RTD and Ω</p> 	<p>T/C and mV</p> 											
Dual Input Wiring	<p>Dual 2-wire RTD and Ω</p> 	<p>Dual 3-wire RTD and Ω</p> 											
	<p>Dual T/C and mV</p> 												

4–20 mA/HART specifications

Power supply

External power supply required. Transmitters operate on 12.0 to 42.4 Vdc transmitter terminal voltage (with 250 ohm load, 18.1 Vdc power supply voltage is required). Transmitter power terminals rated to 42.4 Vdc.

Table 32: Load limitations



(1) Without transient protection(optional).

Note

HART Communication requires a loop resistance between 250 and 1100 Ohms. Do not communicate with the transmitter when power is below 12 Vdc at the transmitter terminals.

Table 33: Temperature limits

Descriptions	Operating Limit ⁽¹⁾	Storage Limit ⁽¹⁾
With LCD display ⁽²⁾	-40 to 185 °F -40 to 85 °C	-50 to 185 °F -45 to 85 °C
Without LCD display	-40 to 185 °F -40 to 85 °C	-60 to 250 °F -50 to 120 °C

(1) The lower operating and storage temperature limit of a transmitter with option code BR6 is -76 °F (-60 °C).

(2) LCD display may not be readable and display updates will be slower at temperatures below -22 °F (-30 °C).

Hardware and software failure mode

The Rosemount 644 Transmitter features software driven alarm diagnostics and an independent circuit, which is designed to provide backup alarm output if the microprocessor software fails. The alarm direction (HI/LO) is user-selectable using the failure mode switch. If failure occurs, the position of the switch determines the direction in which the output is driven (HI or LO). The switch feeds into the digital-to-analog (D/A) converter, which drives the proper alarm output even if the microprocessor fails. The values at which the transmitter software drives its output in failure mode depends on whether it is configured to standard, custom, or NAMUR-compliant (NAMUR recommendation NE 43, June 1997) operation. Table 34 shows the configuration alarm ranges.

Custom alarm and saturation level

Table 34: Available Alarm Range Measured in mA

	Standard	NAMUR- NE 43 compliant
Linear output	$3.9 \leq I^{(1)} \leq 20.5$	$3.8 \leq I \leq 20.5$
Fail high	$21.75 \leq I \leq 23$	$21.5 \leq I \leq 23$
Fail low	$3.5 \leq I \leq 3.75$	$3.5 \leq I \leq 3.6$

(1) I = Process Variable (current output).

Custom factory configuration of alarm and saturation level is available with option code C1 for valid values. These values can also be configured in the field using a field communicator.

Turn-on time

Performance within specifications in less than six seconds after power is applied, when damping value is set to zero seconds.

Transient protection

The Rosemount 470 Transient Protector prevents damage from transients induced by lightning, welding, or heavy electrical equipment. For more information, refer to the Rosemount 470 Transient Protector [Product Data Sheet](#).

Accuracy

For complete accuracy tables by sensor type, see [Table 17](#).

Configuration

For standard and custom configuration information, see [Configuration](#).

Product certifications

Rev 4.5

European Directive Information

A copy of the EU Declaration of Conformity can be found at the end of the Quick Start Guide. The most recent revision of the EU Declaration of Conformity can be found at Emerson.com/Rosemount.

Ordinary Location Certification

As standard, the transmitter has been examined and tested to determine that the design meets the basic electrical, mechanical, and fire protection requirements by a nationally recognized test laboratory (NRTL) as accredited by the Federal Occupational Safety and Health Administration (OSHA).

North America

The US National Electrical Code® (NEC) and the Canadian Electrical Code (CEC) permit the use of Division marked equipment in Zones and Zone marked equipment in Divisions. The markings must be suitable for the area classification, gas, and temperature class. This information is clearly defined in the respective codes.

USA

E5 USA Explosionproof, Non-Incendive, Dust-Ignitionproof

Certificate: 1091070

Standards: FM Class 3600: 2011, FM Class 3615: 2006, FM Class 3616: 2011, ANSI/ISA 60079-0: Ed. 5, UL Std. No. 50E, CAN/CSA C22.2 No. 60529-05

Markings: XP CL I, DIV 1, GP B, C, D; DIP CL II / III, DIV 1, GP E, F, G; T5(-50 °C ≤ T_a ≤ +85 °C); Type 4X; IP66; See I5 description for Non-Incendive markings.

I5 USA Intrinsic Safety and Non-Incendive

Certificate: 1091070

Standards: FM Class 3600: 2011, FM Class 3610: 2010, FM Class 3611: 2004, ANSI/ISA 60079-0: Ed. 5, UL Std. No. 60079-11: Ed. 6, UL Std. No. 50E, CAN/CSA C22.2 No. 60529-05

Markings: IS CL I/II/III, DIV I, GP A, B, C, D, E, F, G; CL I ZONE 0 AEx ia IIC; NI CL I, DIV 2, GP A, B, C, D

Special Conditions for Safe Use (X):

1. When no enclosure option is selected, the Rosemount 644 Temperature Transmitter shall be installed in a final enclosure meeting type of protection IP20 and meeting the requirements of ANSI/ISA 61010-1 and ANSI/ISA 60079-0.
2. Option code K5 is only applicable with a Rosemount enclosure. However, K5 is not valid with enclosure options S1, S2, S3, or S4.
3. An enclosure option must be selected to maintain a Type 4X rating.

4. The Rosemount 644 Transmitter optional housings may contain aluminum and is considered a potential risk of ignition by impact or friction. Care must be taken during installation and use to prevent impact and friction.

Canada

I6 Canada Intrinsic Safety and Division 2

Certificate: 1091070

Standards: CAN/CSA C22.2 No. 0-10, CSA Std C22.2 No. 25-1966, CAN/CSA-C22.2 No. 94-M91, CSA Std C22.2 No. 142-M1987, CAN/CSA-C22.2 No. 157-92, CSA Std C22.2 No. 213-M1987, C22.2 No 60529-05, CAN/CSA C22.2 No. 60079-0:11, CAN/CSA C22.2 No. 60079-11:14, CAN/CSA Std. No. 61010-1-12

Markings: [HART] IS CL I GP A, B, C, D T4/T6; CL I, DIV 2, GP A, B, C, D
[Fieldbus/PROFIBUS] IS CL I GP A, B, C, D T4; CL I, ZONE 0 IIC; CL I, DIV 2, GP A, B, C, D

K6 Canada Explosionproof, Dust-Ignitionproof, Intrinsic Safety and Division 2

Certificate: 1091070

Standards: CAN/CSA C22.2 No. 0-10, CSA Std C22.2 No. 25-1966, CSA Std. C22.2 No. 30-M1986, CAN/CSA-C22.2 No. 94-M91, CSA Std C22.2 No. 142-M1987, CAN/CSA-C22.2 No. 157-92, CSA Std C22.2 No. 213-M1987, C22.2 No 60529-05, CAN/CSA C22.2 No. 60079-0:11, CAN/CSA C22.2 No. 60079-11:14, CAN/CSA Std. No. 61010-1-12

Markings: CL I/II/III, DIV 1, GP B, C, D, E, F, G
See I6 description for Intrinsic Safety and Division 2 markings

Europe

E1 ATEX Flameproof

Certificate: FM12ATEX0065X

Standards: EN 60079-0: 2012+A11:2013, EN 60079-1: 2014, EN 60529:1991 +A1:2000+A2:2013

Markings: Ⓢ II 2 G Ex db IIC T6...T1 Gb, T6(-50 °C ≤ T_a ≤ +40 °C), T5...T1(-50 °C ≤ T_a ≤ +60 °C)

See [Table 35](#) for process temperatures.

Special Conditions for Safe Use (X):

1. See certificate for ambient temperature range.
2. The non-metallic label may store an electrostatic charge and become a source of ignition in Group III environments.
3. Guard the LCD display cover against impact energies greater than 4 joules.
4. Flameproof joints are not intended for repair.
5. A suitable certified Ex d or Ex tb enclosure is required to be connected to temperature probes with Enclosure option "N".
6. Care shall be taken by the end user to ensure that the external surface temperature on the equipment and the neck of DIN Style Sensor probe does not exceed 130 °C.
7. Non-Standard Paint options may cause risk from electrostatic discharge. Avoid installations that cause electrostatic build-up on painted surfaces, and only clean the painted surfaces with a damp cloth. If paint is ordered through a special option code, contact the manufacturer for more information.

I1 ATEX Intrinsic Safety

Certificate:	[Headmount HART]: Baseefa12ATEX0101X [Headmount Fieldbus/PROFIBUS]: Baseefa03ATEX0499X [Railmount HART]: BAS00ATEX1033X
Standards:	EN IEC 60079-0: 2018, EN 60079-11: 2012
Markings:	[HART]: Ⓢ II 1 G Ex ia IIC T6...T4 Ga [Fieldbus/PROFIBUS]: Ⓢ II 1 G Ex ia IIC T4 Ga

See [Table 39](#) for entity parameters and temperature classifications.

Special Conditions for Safe Use (X):

1. The equipment must be installed in an enclosure which affords it a degree of protection of at least IP20 in accordance with the requirements of IEC 60529. Non-metallic enclosures must have a surface resistance of less than 1G Ω ; light alloy or zirconium enclosures must be protected from impact and friction when installed in a Zone 0 environment.
2. When fitted with the Transient Protector Assembly, the equipment is not capable of withstanding the 500 V test as defined in Clause 6.3.13 of EN 60079-11:2012. This must be taken into account during installation.

N1 ATEX Type n – with enclosure

Certificate:	BAS00ATEX3145
Standards:	EN 60079-0: 2012+A11: 2013, EN 60079-15: 2010
Markings:	Ⓢ II 3 G Ex nA IIC T5 Gc ($-40\text{ °C} \leq T_a \leq +70\text{ °C}$)

NC ATEX Type n – without enclosure

Certificate:	[Headmount Fieldbus/PROFIBUS, Railmount HART]: Baseefa13ATEX0093X [Headmount HART]: Baseefa12ATEX0102U
Standards:	EN IEC 60079-0: 2018, EN 60079-15: 2010
Markings:	[Headmount Fieldbus/PROFIBUS, Railmount HART]: Ⓢ II 3 G Ex nA IIC T5 Gc ($-40\text{ °C} \leq T_a \leq +70\text{ °C}$) [Headmount HART]: Ⓢ II 3 G Ex nA IIC T6...T5 Gc; T6($-60\text{ °C} \leq T_a \leq +40\text{ °C}$); T5($-60\text{ °C} \leq T_a \leq +85\text{ °C}$)

Special Conditions for Safe Use (X):

1. The Rosemount 644 Temperature Transmitter must be installed in a suitably certified enclosure such that it is afforded a degree of protection of at least IP54 in accordance with IEC 60529 and EN 60079-15.
2. When fitted with the Transient Protector Assembly, the equipment is not capable of withstanding the 500 V test as defined in Clause 6.5 of EN 60079-15: 2010. This must be taken into account during installation.

ND ATEX Dust

Certificate:	FM12ATEX0065X
Standards:	EN 60079-0: 2012+A11:2013, EN 60079-31: 2014, EN 60529:1991 +A1:2000
Markings:	⊕ II 2 D Ex tb IIIC T130 °C Db, (-40 °C ≤ T _a ≤ +70 °C); IP66 See Table 35 for process temperatures.

Special Conditions for Safe Use (X):

1. See certificate for ambient temperature range.
2. The non-metallic label may store an electrostatic charge and become a source of ignition in Group III environments.
3. Guard the LCD display cover against impact energies greater than 4 joules.
4. Flameproof joints are not intended for repair.
5. A suitable certified Ex d or Ex tb enclosure is required to be connected to temperature probes with Enclosure option "N".
6. Care shall be taken by the end user to ensure that the external surface temperature on the equipment and the neck of DIN Style Sensor probe does not exceed 130 °C.
7. Non-Standard Paint options may cause risk from electrostatic discharge. Avoid installations that cause electrostatic build-up on painted surfaces, and only clean the painted surfaces with a damp cloth. If paint is ordered through a special option code, contact the manufacturer for more information

International

E7 IECEx Flameproof

Certificate:	IECEx FMG 12.0022X
Standards:	IEC 60079-0: 2011, IEC 60079-1: 2014
Markings:	Ex db IIC T6...T1 Gb, T6(-50 °C ≤ T _a ≤ +40 °C), T5...T1(-50 °C ≤ T _a ≤ +60 °C)

See [Table 35](#) for process temperatures.

Special Conditions for Safe Use (X):

1. See certificate for ambient temperature range.
2. The non-metallic label may store an electrostatic charge and become a source of ignition in Group III environments.
3. Guard the LCD display cover against impact energies greater than 4 joules.
4. Flameproof joints are not intended for repair.
5. A suitable certified Ex d or Ex tb enclosure is required to be connected to temperature probes with Enclosure option "N".
6. Care shall be taken by the end user to ensure that the external surface temperature on the equipment and the neck of DIN Style Sensor probe does not exceed 130 °C.
7. Non-Standard Paint options may cause risk from electrostatic discharge. Avoid installations that cause electrostatic build-up on painted surfaces, and only clean the painted surfaces with a damp cloth. If paint is ordered through a special option code, contact the manufacturer for more information.

I7 IECEx Intrinsic Safety

Certificate:	[Headmount HART]: IECEx BAS 12.0069X [Headmount Fieldbus/PROFIBUS, Railmount HART]: IECEx BAS 07.0053X
---------------------	---

Standards: IEC 60079-0: 2017, IEC 60079-11: 2011

Markings: Ex ia IIC T6...T4 Ga

See [Table 39](#) for Entity Parameters and Temperature Classifications.

Special Conditions for Safe Use (X):

1. The equipment must be installed in an enclosure which affords it a degree of protection of at least IP20 in accordance with the requirements of IEC 60529. Non-metallic enclosures must have a surface resistance of less than $1\text{G}\ \Omega$; light alloy or zirconium enclosures must be protected from impact and friction when installed in a Zone 0 environment.
2. When fitted with the Transient Protector Assembly, the equipment is not capable of withstanding the 500 V test as defined in Clause 6.3.13 of IEC 60079-11:2011. This must be taken into account during installation.

N7 IECEx Type n – with enclosure

Certificate: IECEx BAS 07.0055

Standards: IEC 60079-0: 2011, IEC 60079-15: 2010

Markings: Ex nA IIC T5 Gc ($-40\text{ }^{\circ}\text{C} \leq T_a \leq +70\text{ }^{\circ}\text{C}$)

NG IECEx Type n – without enclosure

Certificate: [Headmount Fieldbus/PROFIBUS, Railmount HART]: IECEx BAS 13.0053X
[Headmount HART]: IECEx BAS 12.0070U

Standards: IEC 60079-0: 2017, IEC 60079-15: 2010

Markings: [Headmount Fieldbus/PROFIBUS, Railmount HART]: Ex nA IIC T5 Gc ($-40\text{ }^{\circ}\text{C} \leq T_a \leq +70\text{ }^{\circ}\text{C}$)
[Headmount HART]: Ex nA IIC T6...T5 Gc; T6($-60\text{ }^{\circ}\text{C} \leq T_a \leq +40\text{ }^{\circ}\text{C}$); T5($-60\text{ }^{\circ}\text{C} \leq T_a \leq +85\text{ }^{\circ}\text{C}$)

Special Conditions for Safe Use (X):

1. The Rosemount 644 Temperature Transmitter must be installed in a suitably certified enclosure such that it is afforded a degree of protection of at least IP54 in accordance with IEC 60529 and IEC 60079-15.
2. When fitted with the Transient Protector Assembly, the equipment is not capable of withstanding the 500 V test. This must be taken into account during installation.

NK IECEx Dust

Certificate: IECEx FMG 12.0022X

Standards: IEC 60079-0: 2011, IEC 60079-31: 2013

Markings: Ex tb IIIC T130 °C Db, ($-40\text{ }^{\circ}\text{C} \leq T_a \leq +70\text{ }^{\circ}\text{C}$); IP66

See [Table 35](#) for process temperatures

Special Conditions for Safe Use (X):

1. See certificate for ambient temperature range.
2. The non-metallic label may store an electrostatic charge and become a source of ignition in Group III environments.
3. Guard the LCD display cover against impact energies greater than 4 joules.
4. Flameproof joints are not intended for repair.
5. A suitable certified Ex d or Ex tb enclosure is required to be connected to temperature probes with Enclosure option “N”.

6. Care shall be taken by the end user to ensure that the external surface temperature on the equipment and the neck of DIN Style Sensor probe does not exceed 130 °C.
7. Non-Standard Paint options may cause risk from electrostatic discharge. Avoid installations that cause electrostatic build-up on painted surfaces, and only clean the painted surfaces with a damp cloth. If paint is ordered through a special option code, contact the manufacturer for more information.

Brazil

E2 INMETRO Flameproof and Dust

Certificate:	UL-BR 13.0535X
Standards:	ABNT NBR IEC 60079-0:2013, ABNT NBR IEC 60079-1:2016, ABNT NBR IEC 60079-31:2014
Markings:	Ex db IIC T6...T1 Gb; T6...T1: ($-50\text{ °C} \leq T_a \leq +40\text{ °C}$), T5...T1: ($-50\text{ °C} \leq T_a \leq +60\text{ °C}$) Ex tb IIIC T130 °C; IP66; ($-40\text{ °C} \leq T_a \leq +70\text{ °C}$)

Special Conditions for Safe Use (X):

1. See product description for ambient temperature limits and process temperature limits.
2. The non-metallic label may store an electrostatic charge and become a source of ignition in Group III environments.
3. Guard the LCD display cover against impact energies greater than 4 joules.
4. Consult the manufacturer if dimensional information on the flameproof joints is necessary.

I2 INMETRO Intrinsic Safety

Certificate:	[Fieldbus]: UL-BR 15.0264X [HART]: UL-BR 14.0670X
Standards:	ABNT NBR IEC 60079-0:2013, ABNT NBR IEC 60079-11:2013
Markings:	[Fieldbus]: Ex ia IIC T* Ga ($-60\text{ °C} \leq T_a \leq +**\text{ °C}$) [HART]: Ex ia IIC T* Ga ($-60\text{ °C} \leq T_a \leq +**\text{ °C}$)

See [Table 39](#) for Entity Parameters and Temperature Classifications.

Special Conditions for Safe Use (X):

1. The apparatus must be installed in an enclosure which affords it a degree of protection of at least IP20.
2. Non-metallic enclosures must have a surface resistance of less than 1 G Ω; light alloy or zirconium enclosures must be protected from impact and friction when installed in a zone 0 environment.
3. When fitted with the Transient Protector Assembly, the equipment is not capable of withstanding the 500 V test as defined on ABNT NBR IEC 60079-11. This must be taken into account during installation.
4. The ingress protection degree IP66 is provided only for the Rosemount 644 Field Mount Assembly which is formed by installing an Enhanced Model 644 Temperature Transmitter within a dual-compartment enclosure Plantweb enclosure.

China

E3 China Flameproof

Certificate:	GYJ16.1192X
Standards:	GB3836.1-2010, GB3836.2-2010, GB12476.1-2013, GB12476.5-2013

Markings: Ex d IIC T6...T1; Ex tD A21 T130 °C; IP66

产品安全使用特定条件

产品防爆合格证后缀“X”代表产品安全使用有特定条件：

1. 涉及隔爆接合面的维修须联系产品制造商。
2. 产品铭牌材质为非金属，使用时须防止产生静电火花，只能用湿布清理。
3. 产品使用环境温度与温度组别的关系为：

防爆标志	温度组别	环境温度
Ex d IIC T6~T1 Gb	T6 ~ T1	-50 °C ≤ T _a ≤ +40 °C
	T5 ~ T1	-50 °C ≤ T _a ≤ +60 °C
Ex Td A21 IP66 T130 °C	N/A	-40 °C ≤ T _a ≤ +70 °C

4. 产品外壳设有接地端子，用户在安装使用时应可靠接地。
5. 现场安装时，电缆引入口须选用国家指定的防爆检验机构按检验认可、具有 Ex dIIC, Ex tD A21 IP66 防爆等级的电缆引入装置或堵封件，冗余电缆引入口须用堵封件有效密封。
6. 用于爆炸性气体环境中，现场安装、使用和维护必须严格遵守“断电后开盖！”的警告语。用于爆炸性粉尘环境中，现场安装、使用、和维护必须严格遵守“爆炸性粉尘场所严禁开盖！”的警告语。
7. 用于爆炸性粉尘环境中，产品外壳表面须保持清洁，以防粉尘堆积，单严禁用压缩空气吹扫。
8. 产品的安装、使用和维护应同时遵守产品使用说明书、GB3836.13-2013“爆炸性环境 第 13 部分：设备的修理、检修、修复和改造”、GB3836.15-2000“爆炸性气体环境用电气设备 第 15 部分：危险场所电气安装（煤矿除外）”、GB3836.16-2006“爆炸性气体环境用电气设备 第 16 部分：电气装置的检查和维护（煤矿除外）”和 GB50257-2014“电气装置安装工程爆炸和火灾危险环境电力装置施工及验收规范”和 GB15577-2007“粉尘防爆安全规程”、GB12476.2-2010“可燃性粉尘环境用电气设备 第 2 部分 选型和安装”的有关规定。

I3 China Intrinsic Safety

Certificate: GYJ16.1191X

Standards: GB3836.1-2010, GB3836.4-2010, GB3836.20-2010

Markings: Ex ia IIC T4~T6 Ga

产品安全使用特殊条件

防爆合格证号后缀“X”代表产品安全使用有特定条件：

1. 温度变送器须安装于外壳防护等级不低于国家标准 GB/T4208-2017 规定的 IP20 的壳体中，方可用于爆炸性危险场所，金属壳体须符合国家标准 GB3836.1-2010 第 8 条的规定，非金属壳体须符合 GB3836.1-2010 第 7.4 条的规定。
2. 非金属外壳表面电阻必须小于 1GΩ，轻金属或者铝外壳在安装时必须防止冲击和摩擦。
3. 当 Transmitter Type 为 F、D 时，产品外壳含有轻金属，用于 0 区时需注意防止由于冲击或摩擦产生的点燃危险。
4. 产品选用瞬态保护端子板（选项代码为 T1）时，此设备不能承受 GB3836.4-2010 标准中第 6.3.12 条规定的 500V 交流有效值试验电压的介电强度试验。

产品使用注意事项

1. 产品环境温度为：
当 Options 不选择 Enhanced Performance 时

输出代码	最大输出功率 (W)	温度组别	环境温度
A	0.67	T6	$-60^{\circ}\text{C} \leq T_a \leq +40^{\circ}\text{C}$
	0.67	T5	$-60^{\circ}\text{C} \leq T_a \leq +50^{\circ}\text{C}$
	1	T5	$-60^{\circ}\text{C} \leq T_a \leq +40^{\circ}\text{C}$
	1	T4	$-60^{\circ}\text{C} \leq T_a \leq +80^{\circ}\text{C}$
F 或 W	1.3	T4	$-50^{\circ}\text{C} \leq T_a \leq +60^{\circ}\text{C}$
	5.32	T4	$-50^{\circ}\text{C} \leq T_a \leq +60^{\circ}\text{C}$

当 Options 选择 Enhanced Performance 时

最大输出功率 (W)	温度组别	环境温度
0.67	T6	$-60^{\circ}\text{C} \leq T_a \leq +40^{\circ}\text{C}$
0.67	T5	$-60^{\circ}\text{C} \leq T_a \leq +50^{\circ}\text{C}$
0.80	T5	$-60^{\circ}\text{C} \leq T_a \leq +40^{\circ}\text{C}$
0.80	T4	$-60^{\circ}\text{C} \leq T_a \leq +80^{\circ}\text{C}$

2. 参数 :

当 Options 不选择 Enhanced Performance 时

输入端(+, -)

输出代码	最高输入电压 U_i (V)	最大输入电流 I_i (mA)	最大输入功率 P_i (W)	最大内部等效参数	
				C_i (nF)	L_i (mH)
A	30	200	0.67/1	10	0
F 或 W	30	300	1.3	2.1	0
F 或 W(FISCO)	17.5	380	5.32	2.1	0

传感器端 (1,2,3,4)

输出代码	最高输出 电压 U_o (V)	最大输出电流 I_o (mA)	最大输出 功率 P_o (W)	最大内部等效参数	
				C_o (nF)	L_o (mH)
A	13.6	80	0.08	75	0
F,W	13.9	23	0.079	7.7	0

当 Options 选择 Enhanced Performance 时

输入端(+, -)

最高输入电压 U_i (V)	最大输入电流 I_i (mA)	最大输入功率 P_i (W)	最大内部等效参数	
			C_i (nF)	L_i (mH)
30	150 ($T_a \leq +80^{\circ}\text{C}$)	0.67/0.8	3.3	0
	170 ($T_a \leq +70^{\circ}\text{C}$)			
	190 ($T_a \leq +60^{\circ}\text{C}$)			

传感器端 (1,2,3,4)

最高输出电压 U_o (V)	最大输出电流 I_o (mA)	最大输出功率 P_o (W)	组别	最大内部等效参数	
				C_o (nF)	L_o (mH)
13.6	80	0.08	IIC	0.816	5.79
			IIB	5.196	23.4
			IIA	18.596	48.06

注：本案电气参数符合 GB3836.19-2010 对 FISCO 现场仪表的参数要求。

3. 该产品必须与已通过防爆认证的关联设备配套共同组成本安防爆系统方可使用于爆炸性气体环境。其系统接线必须同时遵守本产品 and 所配关联设备的使用说明书要求，接线端子不得接错。
4. 用户不得自行更换该产品的零部件，应会同产品制造商共同解决运行中出现的故障，以杜绝损坏现象的发生。
5. 产品的安装、使用和维护应同时遵守产品使用说明书、GB3836.13-2013“爆炸性环境 第 13 部分：设备的修理、检修、修复和改造”、GB/T3836.15-2017“爆炸性环境 第 15 部分：电气装置的设计、选型和安装”、GB/T3836.16-2017“爆炸性环境 第 16 部分：电气装置的检查和维护”、GB/T3836.18-2017“爆炸性环境 第 18 部分：本质安全电气系统”和 GB50257-2014“电气装置安装工程爆炸和火灾危险环境电力装置施工及验收规范”的有关规定。

N3 China Type n

Certificate: GYJ20.1544
Standards: GB3836.1-2010, GB3836.8-2014
Markings: Ex nA IIC T5/T6 Gc

产品安全使用特殊条件

1. 产品温度组别和使用环境温度范围之间的关系为：
当 Options 不选择 Enhanced Performance 时：

温度组别	环境温度
T5	$-40^{\circ}\text{C} \leq T_a \leq +70^{\circ}\text{C}$

当 Options 选择 Enhanced Performance 时：

温度组别	环境温度
T6	$-60^{\circ}\text{C} \leq T_a \leq +40^{\circ}\text{C}$
T5	$-60^{\circ}\text{C} \leq T_a \leq +85^{\circ}\text{C}$

2. 最高工作电压：45Vdc
3. 现场安装时，电缆引入口须选用经国家指定的防爆检验机构检验认可、具有 Ex e IIC Gb 防爆等级的电缆引入装置或堵封件，冗余电缆引入口须用堵封件有效密封。电缆引入装置或堵封件的安装使用必须遵守其使用说明书的要求并保证外壳防护等级达到 IP54 (符合 GB/T4208-2017 标准要求) 以上。
4. 用户不得自行更换该产品的零部件，应会同产品制造商共同解决运行中出现的故障，以杜绝损坏现象的发生。
5. 产品的安装、使用和维护应同时遵守产品使用说明书、GB3836.13-2013“爆炸性环境 第 13 部分：设备的修理、检修、修复和改造”、GB/T3836.15-2017“爆炸性环境 第 15 部分：电气装置的设计、选型和安装”、GB/T3836.16-2017“爆炸性环境 第 16 部分：电气装置的检查和维护”和 GB50257-2014“电气装置安装工程爆炸和火灾危险环境电力装置施工及验收规范”的有关规定。

EAC - Belarus, Kazakhstan, Russia

EM Technical Regulation Customs Union TR CU 012/2011 (EAC) Flameproof

Standards: GOST 31610.0-2014, GOST IEC 60079-1-2011

Markings: 1Ex d IIC T6...T1 Gb X, T6 (-55 °C ≤ T_a ≤ +40 °C), T5...T1 (-55 °C ≤ T_a ≤ +60 °C);

See [Table 35](#) for process temperatures.

Special Conditions for Safe Use (X):

1. See certificate TR CU 012/2011 for ambient temperature range.
2. Guard the LCD display cover against impact energies greater than 4 joules.
3. Flameproof joints are not intended for repair.
4. Non-standard paint options may cause risk from electrostatic discharge. Avoid installations that cause electrostatic build-up on painted surfaces, and only clean the painted surfaces with a damp cloth. If paint is ordered through a special code, contact the manufacturer for more information.

IM Technical Regulation Customs Union TR CU 012/2011 (EAC) Intrinsic Safety

Standards: GOST 31610.0-2014, GOST 31610.11-2014

Markings: [HART]: 0Ex ia IIC T6...T4 Ga X; [Fieldbus, FISCO, PROFIBUS PA]: 0Ex ia IIC T4 Ga X

See [Table 39](#) for Entity Parameters and Temperature Classifications.

Special Conditions for Safe Use (X):

1. The equipment must be installed in an enclosure which affords it a degree of protection of at least IP20 in accordance with the requirements of GOST 14254-96. Non-metallic enclosures must have a surface resistance of less than 1 Ω; light alloy or zirconium enclosures must be protected from impact and friction when installed in a Zone 0 environment.
2. When fitted with the Transient Protector Assembly, the equipment is not capable of withstanding the 500 V test as defined in GOST 31610.11-2014. This must be taken into account during installation.
3. See certificate TR CU 012/2011 for ambient temperature range.

KM Technical Regulation Customs Union TR CU 012/2011 (EAC) Flameproof, Intrinsic Safety, and Dust-Ignitionproof

Standards: GOST 31610.0-2014, GOST IEC 60079-1-2011, GOST 31610.11-2014, GOST R IEC 60079-31-2010

Markings: Ex tb IIIC T130 °C Db X (-55 °C ≤ T_a ≤ +70 °C); IP66

See [Table 35](#) for process temperatures.

See EM for Flameproof Markings and see IM for Intrinsic Safety Markings.

Special Conditions for Safe Use (X):

1. The non-metallic label may store an electrostatic charge and become a source of ignition in Group III environments. Label must be cleaned by the damp cloth with antistatic to avoid store an electrostatic discharge.
2. Guard the LCD display cover against impact energies greater than 4 joules.

See EM for Flameproof Specific Conditions of Use and see IM for Intrinsic Safety Specific Conditions of Use.

Japan

E4 Japan Flameproof

Certificate: CML 17JPN1316X

Markings: Ex d IIC T6...T1 Gb; T6 (-50 °C < T_a < +40 °C); T5...T1(-50 °C ≤ T_a ≤ 60 °C)

Special Conditions for Safe Use:

1. Flameproof joints are not intended for repair.
2. Models with LCD display cover shall have the display cover protected from impact energies greater than 4 Joules.
3. For Models 65 and 185, the user shall ensure the external surface temperature of the equipment and the neck of the DIN Style probe does not exceed 130 °C.
4. Non-standard paint options may cause risk from electrostatic discharge.
5. The wiring used shall be suitable for temperatures over 80 °C.

I4 Japan Intrinsic Safety

Certificate: CML 18JPN2118X

Standards: JNIOH-TR-46-1, JNIOH-TR-46-6

Markings: [Fieldbus] Ex ia IIC T4 Ga (-60 °C ≤ T_a ≤ +60 °C);

Special Conditions for Safe Use (X):

1. The apparatus must be installed in an enclosure which affords it a degree of protection of at least IP20.
2. Non-metallic enclosures must have a surface resistance of less than 1 G Ω; light alloy or zirconium enclosures must be protected from impact and friction when installed in a zone 0 environment.

Korea

EP Korea Flameproof and Dust-Ignitionproof

Certificate: 13-KB4BO-0559X

Markings: Ex d IIC T6... T1; Ex tb IIIC T130 °C

Special Condition for Safe Use (X):

See certificate for special conditions for safe use.

IP Korea Intrinsic Safety

Certificate: 13-KB4BO-0531X

Markings: Ex ia IIC T6...T4

Special Condition for Safe Use (X):

See certificate for special conditions for safe use.

Combinations

K1	Combination of E1, I1, N1, and ND
K2	Combination of E2 and I2
K5	Combination of E5 and I5
K7	Combination of E7, I7, N7, and NK
KA	Combination of K6, E1, and I1
KB	Combination of K5 and K6
KC	Combination of I5 and I6
KD	Combination of E5, I5, K6, E1, and I1
KP	Combination of EP and IP

Additional certifications

SBS American Bureau of Shipping (ABS) Type Approval

Certificate: 16-HS1553094-PDA

SBV Bureau Veritas (BV) Type Approval

Certificate: 26325 BV
Requirements: Bureau Veritas Rules for the Classification of Steel Ships
Application: Class notations: AUT-UMS, AUT-CCS, AUT-PORT and AUT-IMS

SDN Det Norske Veritas (DNV) Type Approval

Certificate: TAA00000K8
Application: Location Classes: Temperature: D; Humidity: B; Vibration: A; EMC: B; Enclosure B/IP66: A, C/IP66: SST

SLL Lloyds Register (LR) Type Approval

Certificate: 11/60002
Application: For use in environmental categories ENV1, ENV2, ENV3, and ENV5.

Specification tables

Table 35: Process Temperature Limits

Sensor only (no transmitter installed)	Process temperature [°C]						
	Gas						Dust
	T6	T5	T4	T3	T2	T1	T130 °C
Any extension length	85 °C (185 °F)	100 °C (212 °F)	135 °C (275 °F)	200 °C (392 °F)	300 °C (572 °F)	450 °C (842 °F)	130 °C (266 °F)

Table 36: Process Temperature Limits without LCD Display Cover

Transmitter	Process temperature [°C]						
	Gas						Dust
	T6	T5	T4	T3	T2	T1	T130 °C
No extension	131 °F (55 °C)	158 °F (70 °C)	212 °F (100 °C)	338 °F (170 °C)	536 °F (280 °C)	824 °F (440 °C)	212 °F (100 °C)
3-in. extension	131 °F (55 °C)	158 °F (70 °C)	230 °F (110 °C)	374 °F (190 °C)	572 °F (300 °C)	842 °F (450 °C)	230 °F (110 °C)
6-in. extension	140 °F (60 °C)	158 °F (70 °C)	248 °F (120 °C)	392 °F (200 °C)	572 °F (300 °C)	842 °F (450 °C)	230 °F (110 °C)
9-in. extension	149 °F (65 °C)	167 °F (75 °C)	266 °F (130 °C)	392 °F (200 °C)	572 °F (300 °C)	842 °F (450 °C)	248 °F (120 °C)

Adhering to the process temperature limitation of [Table 37](#) will ensure that the service temperature limitations of the LCD cover are not exceeded. Process temperatures may exceed the limits defined in [Table 37](#) if the Temperature of the LCD cover is verified to not exceed the service temperatures in [Table 38](#) and the process temperatures do not exceed the values specified in [Table 36](#).

Table 37: Process Temperature Limits with LCD Display Cover

Transmitter with LCD display cover	Process temperature [°C]			
	Gas			Dust
	T6	T5	T4...T1	T130 °C
No extension	131 °F (55 °C)	158 °F (70 °C)	203 °F (95 °C)	203 °F (95 °C)
3-in. extension	131 °F (55 °C)	158 °F (70 °C)	212 °F (100 °C)	212 °F (100 °C)
6-in. extension	140 °F (60 °C)	158 °F (70 °C)	212 °F (100 °C)	212 °F (100 °C)
9-in. extension	149 °F (65 °C)	167 °F (75 °C)	230 °F (110 °C)	110 °C (230 °F)

Table 38: Service Temperature Limits

Transmitter with LCD display cover	Service temperature [°C]			
	Gas			Dust
	T6	T5	T4...T1	T130 °C
No extension	149 °F (65 °C)	167 °F (75 °C)	203 °F (95 °C)	203 °F (95 °C)

Table 39: Entity Parameters

	Fieldbus/PROFIBUS [FISCO]	HART	HART (Enhanced)
U _i (V)	30 [17.5]	30	30
I _i (mA)	300 [380]	200	150 for T _a ≤ 80 °C 170 for T _a ≤ 70 °C 190 for T _a ≤ 60 °C

Table 39: Entity Parameters (continued)

	Fieldbus/PROFIBUS [FISCO]	HART	HART (Enhanced)
P _i (W)	1.3 at T4 (-50 °C ≤ T _a ≤ +60 °C) [5.32 at T4 (-50 °C ≤ T _a ≤ +60 °C)]	.67 at T6 (-60 °C ≤ T _a ≤ +40 °C) .67 at T5 (-60 °C ≤ T _a ≤ +50 °C) 1.0 at T5 (-60 °C ≤ T _a ≤ +40 °C) 1.0 at T4 (-60 °C ≤ T _a ≤ +80 °C)	.67 at T6 (-60 °C ≤ T _a ≤ +40 °C) .67 at T5 (-60 °C ≤ T _a ≤ +50 °C) .80 at T5 (-60 °C ≤ T _a ≤ +40 °C) .80 at T4 (-60 °C ≤ T _a ≤ +80 °C)
C _i (nF)	2.1	10	3.3
L _i (mH)	0	0	0

©2021 Emerson. All rights reserved.

Emerson Terms and Conditions of Sale are available upon request. The Emerson logo is a trademark and service mark of Emerson Electric Co. Rosemount is a mark of one of the Emerson family of companies. All other marks are the property of their respective owners.

ROSEMOUNT™

